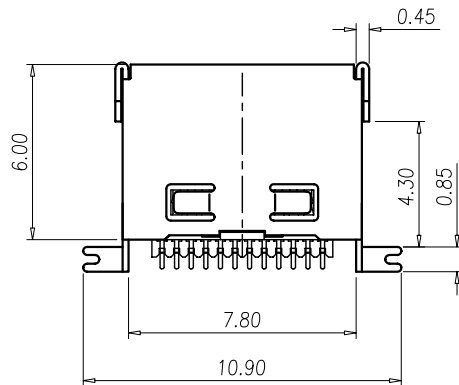
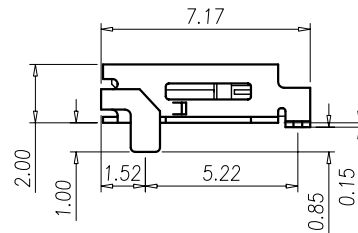
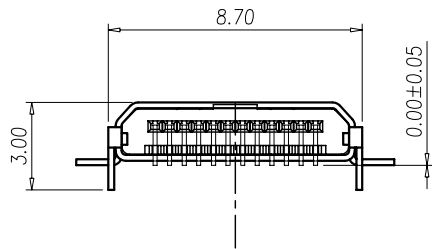
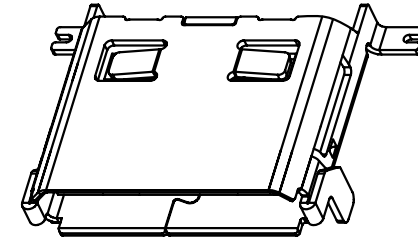


RECOMMED PCB LAYOUT



NOTE:

1. SAFETY:

- 1-1. Temperature rise: 0.3Ac/30Vac.
- 1-2. Insulation resistance: 500Vac/1min.
- 1-3. Dielectric withstanding voltage: 250Vac/0.5mA/1min.
- 1-4. Low level resistance: full scale voltage 20mV/current 10mA.
- 1-5. Durability: 12000cycles-200mm/min.

2. MATERIAL :

- 2-1. HOUSING : LCP UL94V-0 ; COLOR : BLACK
- 2-2. CONTACT : PHOSPHOR BRONZE.
- 2-3. SHELL : PHOSPHOR BRONZE.

3. FINISH :

- 3-1. CONTACT :
 CONTACT AREA : 10 MICRO INCHES MIN. GOLD PLATED
 SOLDER AREA : GOLD FLASH
 UNDER PLATE : NICKEL
- 3-2. SHELL : MATTE TIN 60u" OVER ALL

RoHS Compliant

TOLERANCES ARE

MORETHANALL
 PCB CONNECTORS
 Cable ASSEMBLIES

煜倫股份有限公司

www.morethanall.com

DRAWING BY CY

CHECKED BY GENIUS

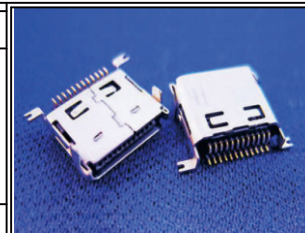
UNIT/mm SCALE 1:1

DATE

SIZE A4

X, ±
 .X ± 0.20
 .XX ± 0.10
 .XXX ± 0.05
 ANG ±

PJECTION



ORDER INFORMATION

MSB-SW-12A-LF
 SERIES | LEADFREE
 12 PIN A TYPE
 90°SMT
 FEMALE

DESCRIPTION: MINI USB 12P (F) 單排SMT