

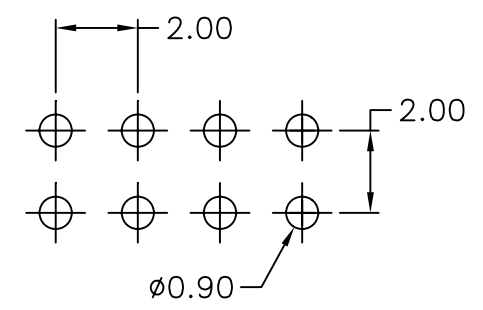
Specifications
 Current Rating: 2Amp
 Insulation Resistance: 1000MΩ Min.
 Dielectric Withstanding: 500V AC
 Contact Resistance: 20mΩ Max.
 Operating Temperature: -40°C to +105°C

Materials
 Contact Material: Copper Alloy
 Insulation Material: Polyester, UL 94V-0
 NYLON-6T

M-RT4-2Xxx-LF
 LEADFREE

RoHS Compliant

Recommended P.C.Board
 Hole Layout



PART NO. M-RT4-2Xxx		APPROVED BY CY		TOLERANCES ARE		DESCRIP TION: 2.00 HEADER MALE DUAL ROWS TYPE T/H ASSEMBLY				
DWG NO. M-RT4-2Xxx		DRAWING BY		X. ± 0.38		AREA				
FILE NO.		PROJECTION		XX. ± 0.25						
UNIT / mm		SCALE 1:1		AWG ± 0.13		REVISIONS		HK		DATE

煜倫股份有限公司