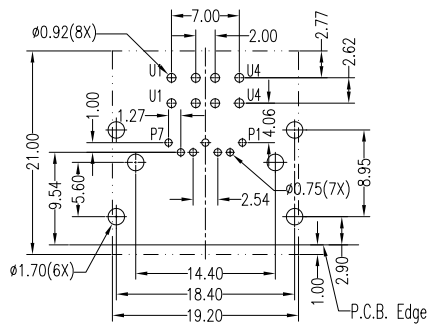
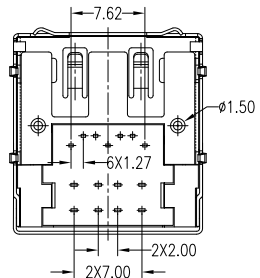
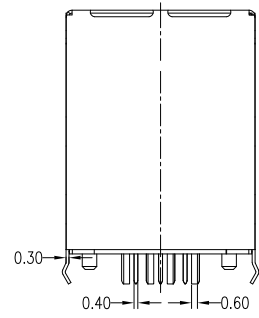
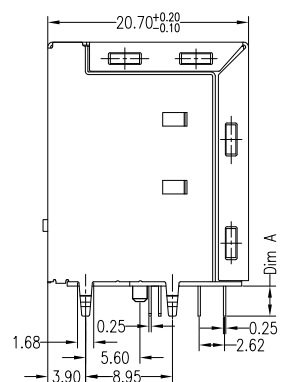
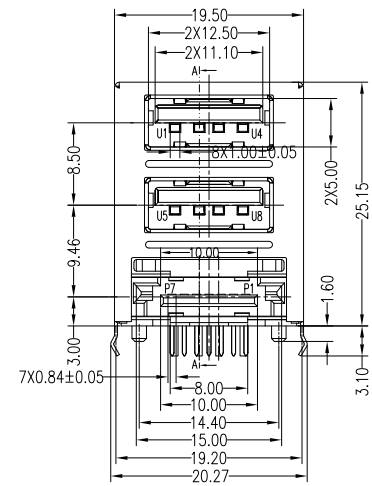


USB	
Pin Number	Signal Name
U1	VBUS
U2	D-
U3	D+
U4	GDN

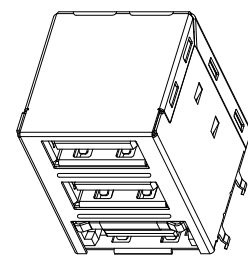
eSATA	
Pin Number	Signal Name
P1	GND
P2	A+
P3	A-
P4	GND
P5	A-
P6	A+
P7	GND

Unit:mm

Standard	Dim A
UUE-AR-AA7	2.15



P.C.B Layout T=1.60mm
COMPONENT SIDE



NOTES:

- *e SATA Material**
Housing : Nylon66+30%G.F,UL 94V-0 Rated
Contact : Brass,Au plating on contact area, Sn(100u" Min.) Plating on Solder Tail, Ni(40u" Min.) underplating over all.
Shell : SUS 304
- *e SATA Electrical Specification**
Operation Voltage:100 VAC max.
Current Rating: 1.5 Ampere per contact
Contact Resistance: 30mΩ Max.
Insulation Resistance: 1000MΩ MIN.
Dielectric Withstanding Voltage:500VAC.
- *USB Material**
Housing : PBT+30%G.F,UL 94V-0 Rated Color:Black
Retainer : Nylon66+30%G.F,UL 94V-0 Rated Color:Black
Contact : Phosphor bronze,Au plating on contact area, Sn(100u" Min.) Plating on Solder Tail, Ni(40u" Min.) underplating over all.
Shell(Outside):SUS 430; Sn(60u" Min.) Plating on Ni area,Ni(10u" Min.) underplating on Solder Tail.
Shell(Inside): SUS 304.
- *USB Electrical Specification**
Rated Voltage and Current : 1.5A at 250V AC min.;
Contact Resistance: 30 mΩ max.
Insulation Resistance: 1000 MΩ min. At 500V DC.
Dielectric Withstanding Voltage: 500 V AC For 1 minute.
- *Environmental**
Operating Temperature : -55°c to +85°c.

RoHS Compliant

TOLERANCES ARE

MORETHANALL
PCB CONNECTORS
Cable ASSEMBLIES
煜倫股份有限公司
www.morethanall.com

DRAWING BY CY
CHECKED BY GENIUS
UNIT / mm SCALE 1 : 1
DATE
SIZE A4

X, ±
.X ± 0.38
.XX ± 0.25
.XXX ± 0.20
ANG ±



ORDER INFORMATION

UUE-AR-AA7-LF
SERIES | LEADFREE
A+A TYPE+7PIN
DIP 90°
FEMALE TO MALE

DESCRIPTION: Double USB+e SATA Plug