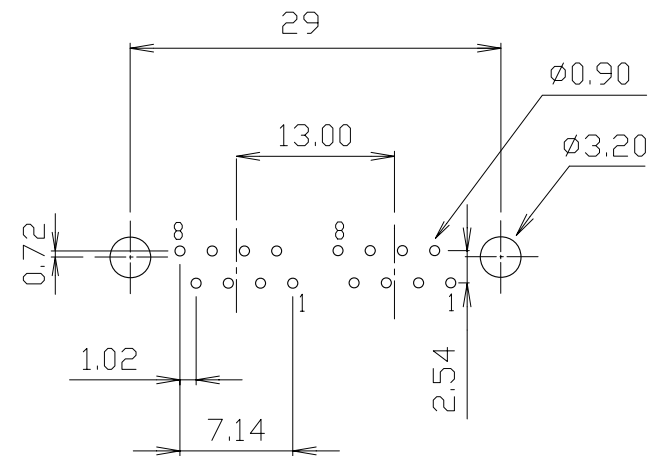


MATERIAL:

- HOUSING-PBT POLYESTER UL94V-0 MIXED GLASS FIBER, STANDARD COLOR-BLACK / GREY
  - CONTACTS-0.45mm DIAMETER PHOS-BRONZE PLATED WITH HARD GOLD.
  - METAL PEG-0.50mm THICK PHOS-BRONZE PLATED WITH TIN.
- CAVITY CONFIRMS TO FCC RULES AND REGULATIONS PART 68,SUBPART F.



PCB LAYOUT Ref.

RoHS Compliant

**MORETHANALL**  
PCB CONNECTORS  
Cable ASSEMBLIES

煜倫股份有限公司

www.morethanall.com

DRAWING BY CY

CHECKED BY GENIUS

UNIT/mm SCALE 1:1

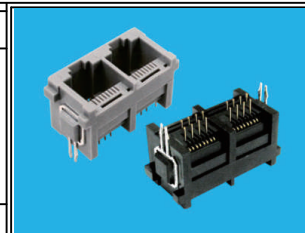
DATE

SIZE A4

TOLERANCES ARE

X.±  
.X±  
.XX±  
.XXX±  
ANG±

P PROJECTION



ORDER INFORMATION



DESCRIPTION:RJ45, TOP ENTRY PCB GANG JACK FROM 1 PORTS THRU 4 PORTS