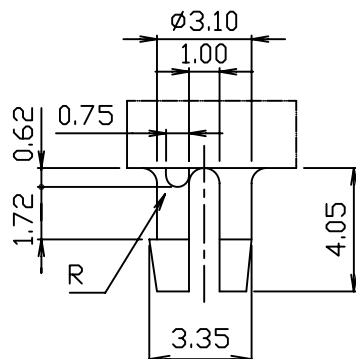
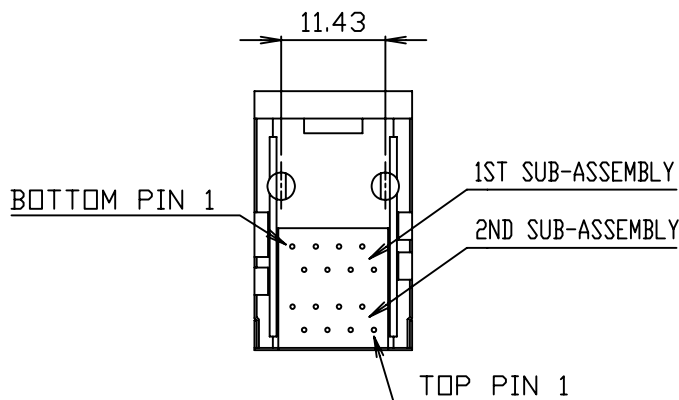


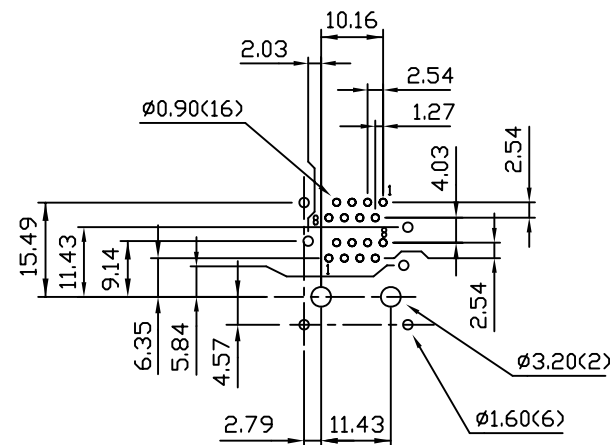
**MATERIAL:**

- HOUSING-PBT POLYESTER UL-94V-0 MIXED GLASS FIBER. STANDARD COLOR-BLACK
- CONTACTS-0.35mm THICK PHOS-BRONZE PLATED WITH HARD GOLD AND GOLD FLASH IN SOLDER AREA.
- SHIELD-0.25mm THICK COPPER ALLOY, PLATED WITH NICKEL.

CAVITY CONFIRMS TO FCC RULES AND REGULATIONS PART 68,SUBPART F.



**DETAIL Y**



**PCB LAYOUT Ref.**

**RoHS Compliant**

TOLERANCES ARE

**MORETHANALL**  
PCB CONNECTORS  
Cable ASSEMBLIES

DRAWING BY CY

X.±

CHECKED BY GENIUS

.X±

UNIT / mm

SCALE 1 : 1

.XX±

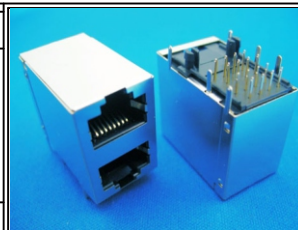
DATE

.XXX±

ANG ±

SIZE A4

P PROJECTION



**ORDER INFORMATION**

**MJF25B1-KXX06A4-0808-LF**

SERIES

LEADFREE  
8P8C  
FRONT TAB 4.57mm  
06:06u" GOLD  
NON EAR  
BLACK

**煜倫股份有限公司**

[www.morethanall.com](http://www.morethanall.com)

DESCRIPTION: 2X1 8POSITIONS RIGHT ANGLE SHIELDED PCB JACK