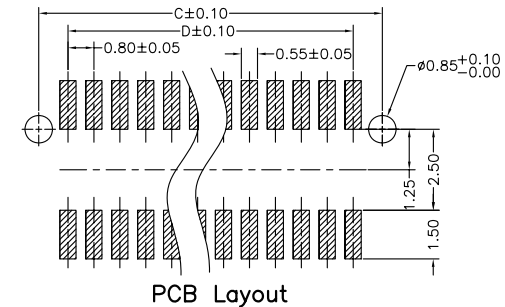
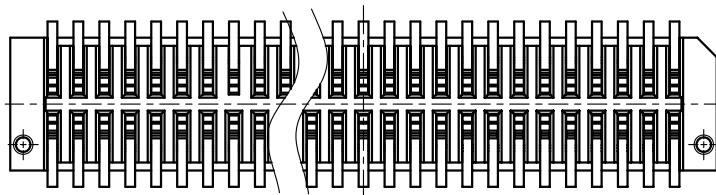
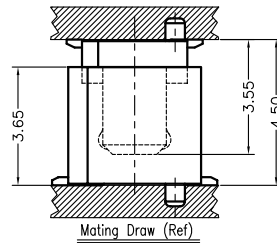
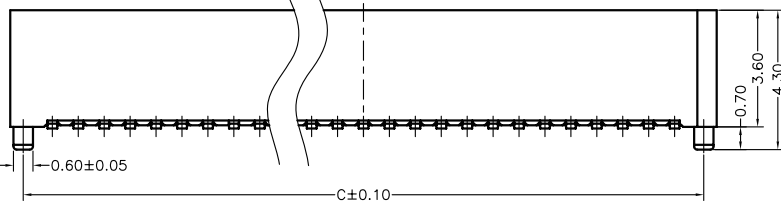


Specifications

Current Rating:0.5A AC/DC
 Voltage Rating:100V AC/DC
 Contact Resistance:40m ohm. Max
 Insulation Resistance:100Mohm min
 Withstanding Voltage:500V(r.m.s) For one Minute
 Operating Temperature Range:-40°C to 105°C
 Materials:

Insulator:High Temp. Plastic(Nylon 46 UL94V-0)
 Color:White
 Contact :Phosphor Bronze
 Plated:Gold Plated



Contacts Dimensions

Number of Position	A	B	C	D	Number of Position	A	B	C	D
10	5.80	4.90	5.00	3.20	34	15.40	14.50	14.60	12.80
12	6.60	5.70	5.80	4.00	36	16.20	15.30	15.40	13.60
14	7.40	6.50	6.60	4.80	38	17.00	16.10	16.20	14.40
16	8.20	7.30	7.40	5.60	40	17.80	16.90	17.00	15.20
18	9.00	8.10	8.20	6.40	50	21.80	20.90	21.00	19.20
20	9.80	8.90	9.00	7.20	60	25.80	24.90	25.00	23.20
22	10.60	9.70	9.80	8.00	68	29.00	28.10	28.20	26.40
24	11.40	10.50	10.60	8.80	70	29.80	28.90	29.00	27.20
26	12.20	11.30	11.40	9.60	80	33.80	32.90	33.00	31.20
28	13.00	12.10	12.20	10.40	90	37.80	36.90	37.00	35.20
30	13.80	12.90	13.00	11.20	100	41.80	40.90	41.00	39.20
32	14.60	13.70	13.80	12.00					

**Mating Height Dimension

P/N(Plug)	P/N(Socket)	Socket Height Dim	Mating Height Dim
NP0820-PV365P-xxx	NP0820-SV085P-xxx	3.55	4.50

RoHS Compliant

MORETHANALL
 PCB CONNECTORS
 Cable ASSEMBLIES

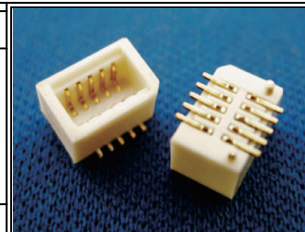
煜倫股份有限公司

www.morethanall.com

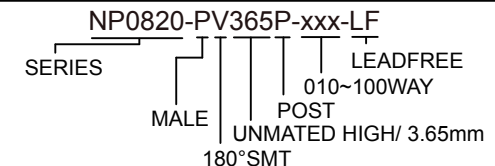
DRAWING BY CY
 CHECKED BY GENIUS
 UNIT/mm SCALE 1:1
 DATE
 SIZE A4 PROJECTION

TOLERANCES ARE

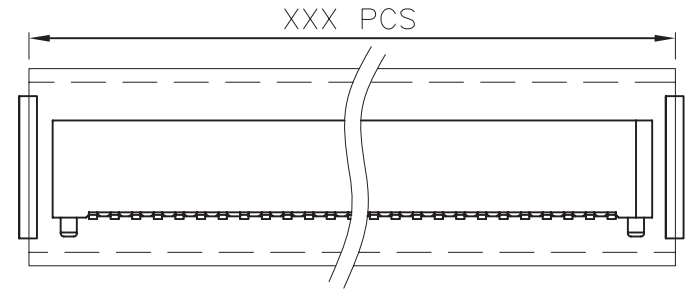
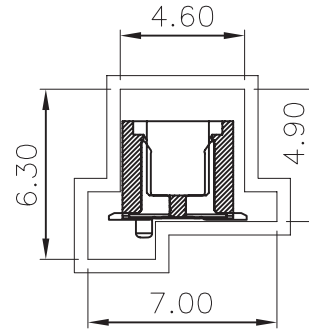
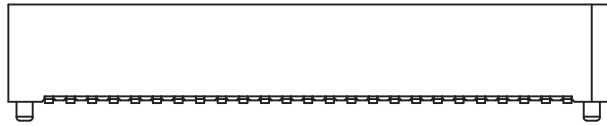
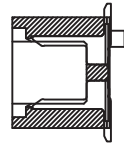
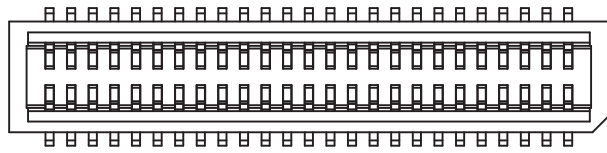
X. ±
 .X ±
 .XX ±
 .XXX ±
 ANG ±



ORDER INFORMATION

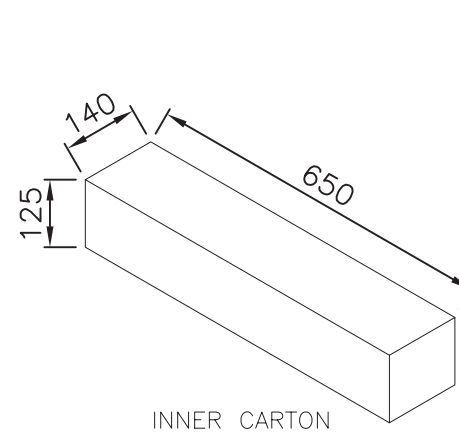


DESCRIPTION:0.8mm Board To Board Plug 3.65mm Height

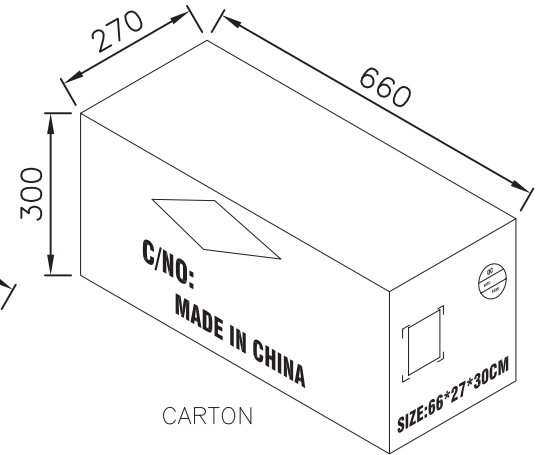


Note:
 1.Dimension
 Tube Size: L=635mm
 Inner Carton Size:650(L)X140(W)X125(H) (mm)
 Carton Size:660(L)X270(W)X300(H) (mm)
 2.Quantity:
 180 Tube/Inner Carton
 4 Inner Carton/ Carton

Pin.	Pcs/Tube	Pcs/Inner Carton	Pcs/ Carton	Pin.	Pcs/Tube	Pcs/Inner Carton	Pcs/ Carton
10	98	17640	70560	34	38	6840	27360
12	87	15660	62640	36	36	6480	25920
14	78	14040	56160	38	35	6300	25200
16	71	12780	51120	40	33	5940	23760
18	65	11700	46800	50	27	4860	19440
20	60	10800	43200	60	23	4140	16560
22	55	9900	39600	68	20	3600	14400
24	52	9360	37440	70	20	3600	14400
26	48	8640	34560	80	18	3240	12960
28	45	8100	32400	90	16	2880	11520
30	43	7740	30960	100	14	2520	10080
32	41	7380	29520				



INNER CARTON



CARTON

RoHS Compliant

TOLERANCES ARE

MORETHANALL
 PCB CONNECTORS
 Cable ASSEMBLIES

煜倫股份有限公司

www.morethanall.com

DRAWING BY CY

CHECKED BY GENIUS

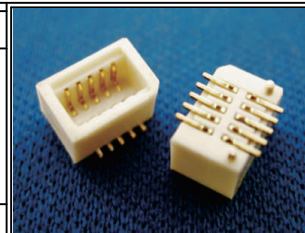
UNIT/ mm
 DATE

SCALE 1:1

SIZE A4

PJECTION

X. ±
 .X ±
 .XX ±
 .XXX ±
 ANG ±



ORDER INFORMATION

NP0820-PV365P-xxx-LF
 SERIES | MALE | POST | UNMATED HIGH/ 3.65mm | 180°SMT | LEADFREE | 010~100WAY

DESCRIPTION: 0.8mm Board To Board Plug Packing List