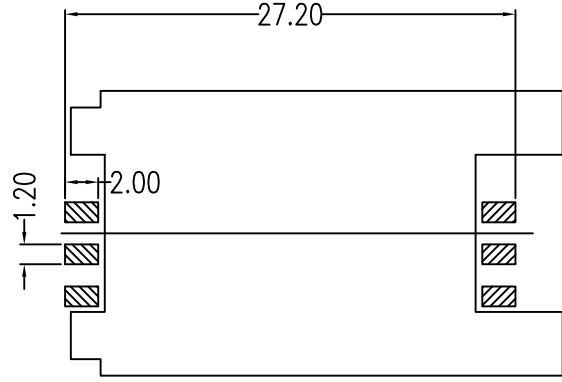
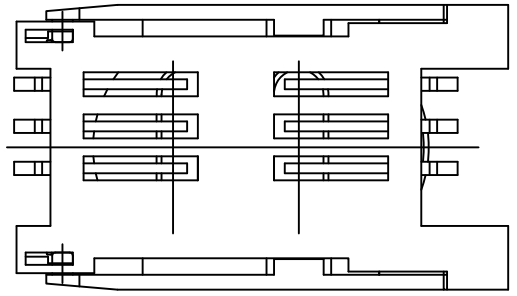
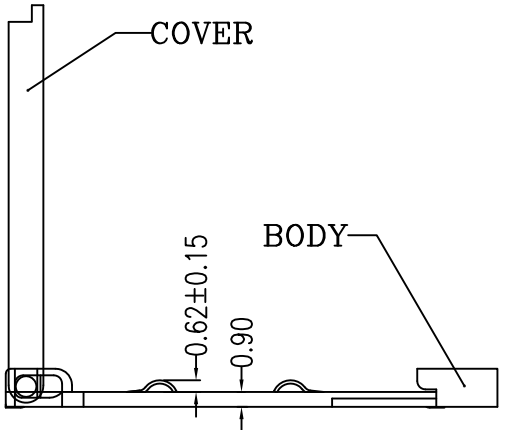
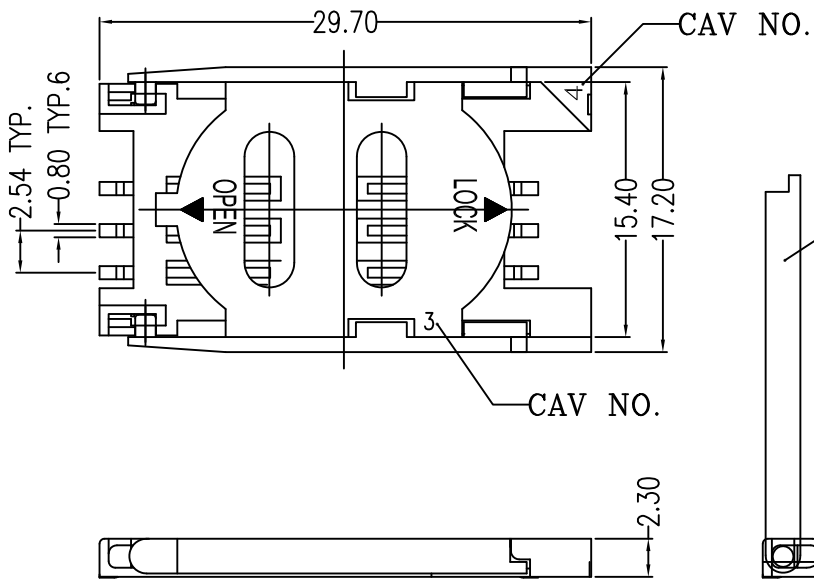


1 2 3 4 5 6 7 8 9 0

J
I
H
G
F
E
D
C
B
A



NOTES

***Material:**

- 1.Body: PPS UL 94V-0 Rated, Color:Black;
- 2.Cover: PPS UL 94V-0 Rated, Color:Black;
- 3.Contact: Phosphor Bronze;
- 4.Contact Plating: Gold Plating Over Nickel on Contact Area, Tin Plating on Terminal.

***Specification:**

- 1.Current Rating: 0.5 AMP. Max.;
- 2.Dielectric Withstanding Voltage: 500V AC R.M.S For One Minute;
- 3.Insulation Resistance: 1000 M Ohms Min. AT 500V AC;
- 4.Contact Resistance: 30 M Ohms Max.;
- 5.Operating Temperature: -25°C to +85°C;
- 6.Processing Temp: 230°C for 30~60 Seconds Max.;
- 7.Durability: 5000 Cycles.

SCV-W2523XR-06-LF
LEADFREE

RoHS Compliant

RECOMMEND P.C.B. LAYOUT
TOP VIEW



PART NO. SCV-W2523XR-06

DWG NO. SCV-W2523XR-06

FILE NO.

APPROVED BY CY

DRAWING BY

TOLERANCES ARE
.X ± 0.38
.XX ± 0.25
.XXX ± 0.20
AWG

DESCRIPTION:

SIM CARD 06 PIN SOCKET

焜倫股份有限公司

UNIT / mm

SCALE 1:1

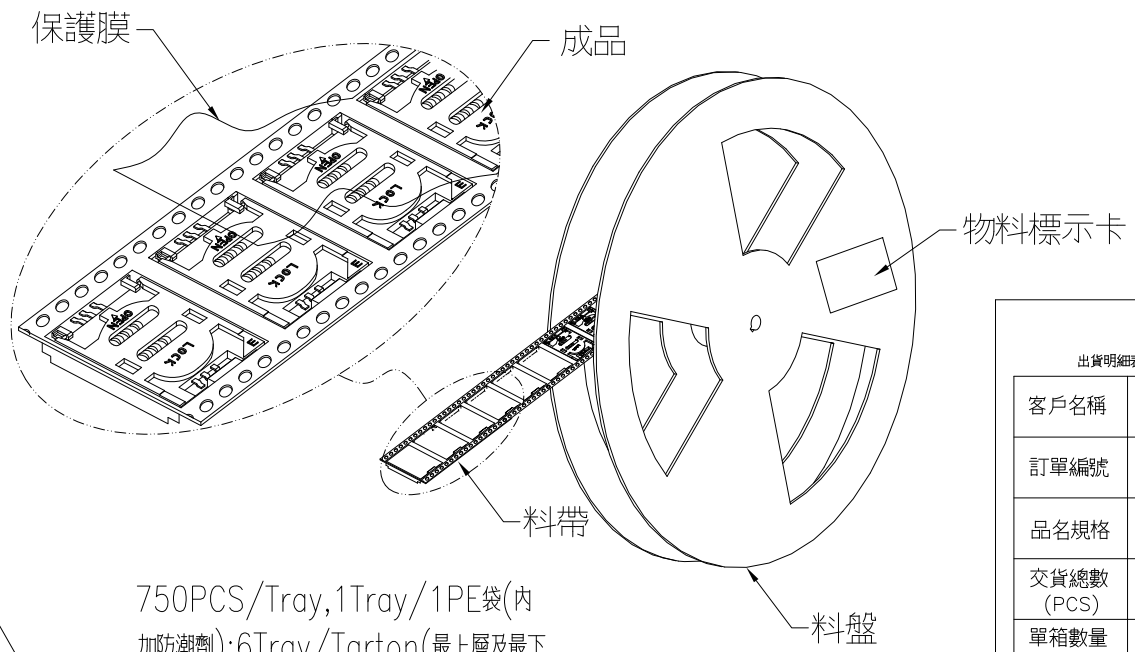
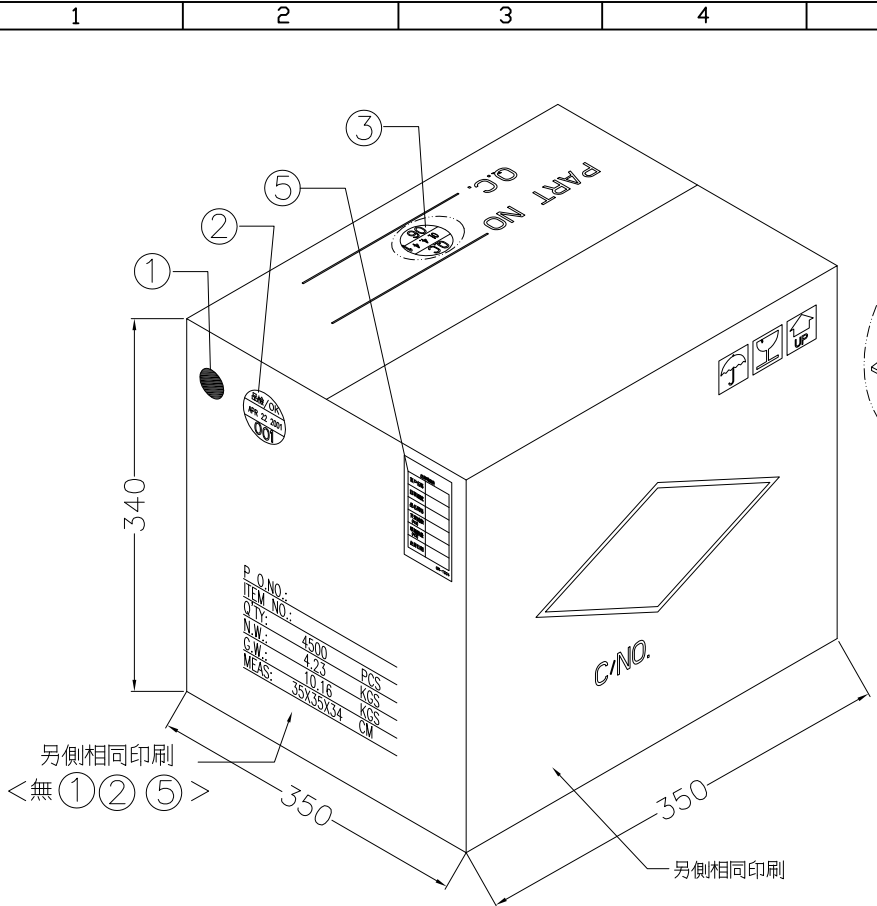
PROJECTION

AREA

REVISIONS

HK

DATE



750PCS/Tray, 1Tray/1PE袋(內加防潮劑); 6Tray/Tarton(最上層及最下層各放一塊保力龍, 料盤的四周加放三角形防振紙板) 4500PCS/Tarton.

出貨明細表	
客戶名稱	
訂單編號	
品名規格	
交貨總數 (PCS)	
單箱數量 (PCS)	
出貨日期	

⑤ QR-1504

PACKING DETAILS(無柱有上蓋成品)

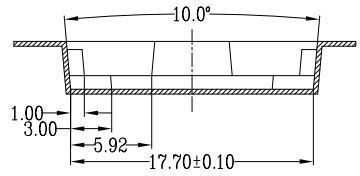
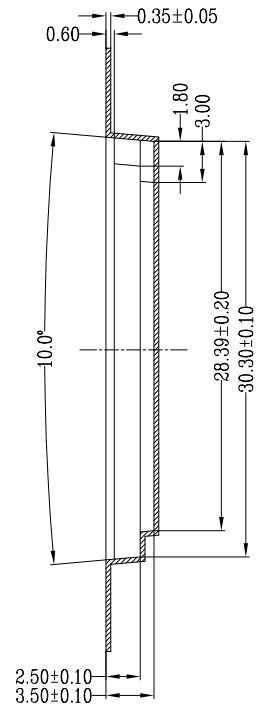
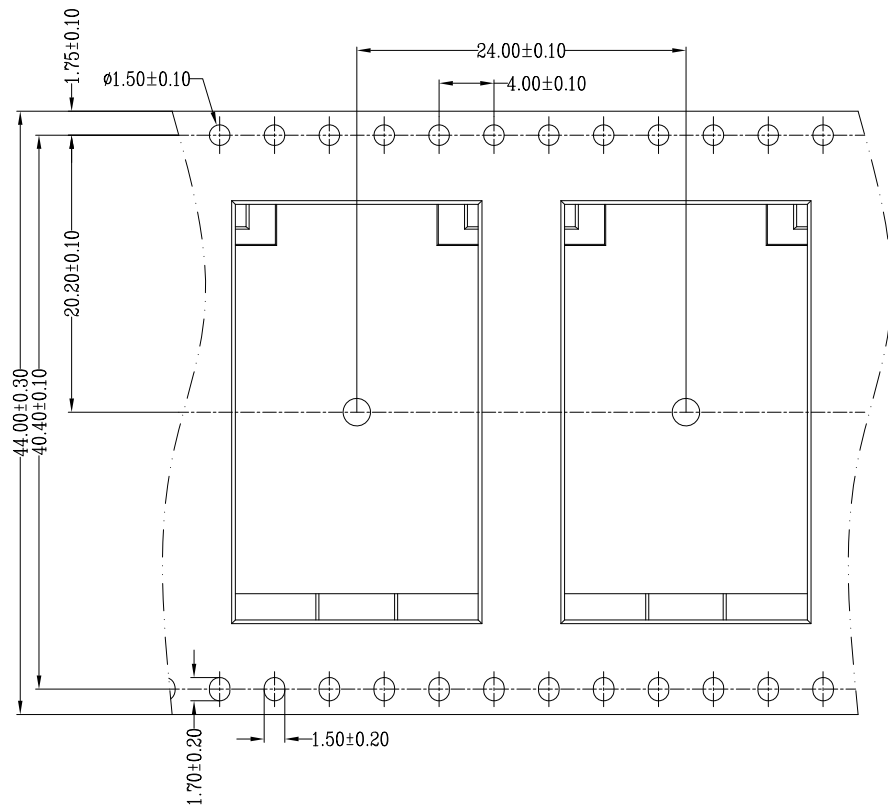
P/O.NO.:
 ITEM NO.:
 Q'TY: 4500 PCS
 N.W.: 4.23 KGS
 G.W.: 10.16 KGS
 MEAS: 35X35X34 CM

注: 1. 外箱隨產品的不同而印刷(側面)
 2. 料帶專用包裝.

- 注: 加蓋印記位置
- ① 月份標記
 - ② 品管注介章(檢驗合格章)
 - ③ 生產製造日期, 檢驗員代號.
 - ④ 該產品的料號.
 - ⑤ 出貨明細表

材質:
 外箱: K=K<雙浪型>

	PART NO. SCV-W2523XR-06		TOLERANCES ARE .X ± 0.2 .XX ± .XXX ± AWG	DESCRI P TION: 手機卡6P 包裝規範圖
	DWG NO. SCV-W2523XR-06			
煜倫股份有限公司	FILE NO.		DRAWING BY	AREA REVISIONS HK DATE
	UNIT / mm	SCALE 1:1	PROJECTION	



附注: 1. 材質: PS;
 2. 卷盤顏色: 藍色(φ330mm);
 3. 單卷可裝長度: 16.2M;
 4. 單卷可裝產品: 650PCS;
 5. 脫模斜度: 5°;

A			PART NO. SCV-W2523XR-06		TOLERANCES ARE .X ± 0.2 .XX ± .XXX ± AWG	DESCRIP TION: 手機卡6P REEL盤				
	焯倫股份有限公司		DWG NO. SCV-W2523XR-06			CHECKED BY CY	AREA			
B	FILE NO.		DRAWING BY		REVISIONS					
C	UNIT / mm		SCALE 1:1		PROJECTION		HK		DATE	