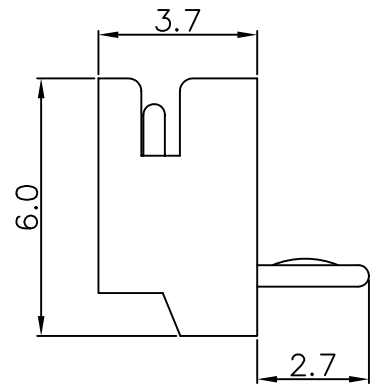
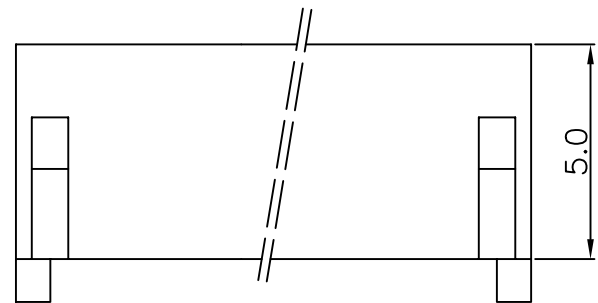
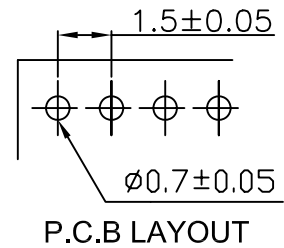
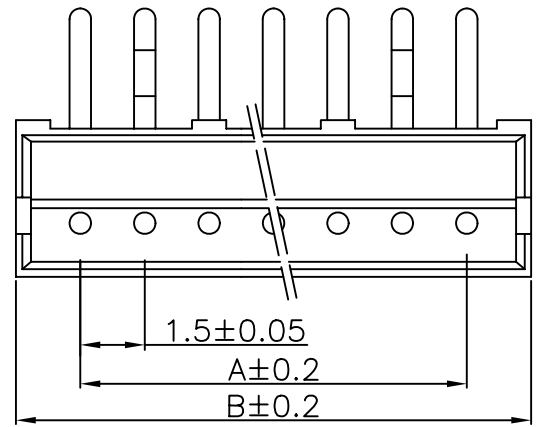


SPECIFICATION

CURRENT RATING: 1A AC/DC  
 PITCH BETWEEN POLES: 1.5mm  
 VOLTAGE RATING: 100V AC/DC  
 CONTACT RESISTANCE: 20mohm (max)  
 TEMPERATURE RANGE: -25°C TO +85°C  
 INSULATION RESISTANCE: 500Mohm MIN  
 WITHSTAND VOLTAGE: 500V AC/MINUTE  
 APPLICATION P.C.B THICKNESS: 0.6~1.2mm  
 APPLICATION P.C.B HOLD DIA:  $\phi 0.7\text{mm} \pm 0.05$   
 FEATURES  
 AVAILABLE NUMBER OF CIRCUITS: 2 TO 13  
 MATERIAL: NYLON 66 UL94-V0  
 CONTACT: 0.50mm(0.02")ROUND PIN, BRASS: TIN PLATED



Circuits	Dim. A	Dim. B
2	1.50	4.50
3	3.00	6.00
4	4.50	7.50
5	6.00	9.00
6	7.50	10.50
7	9.00	12.00
8	10.50	13.50
9	12.00	15.00
10	13.50	16.50
11	15.00	18.00
12	16.50	19.50
13	18.00	21.00

**MORETHANALL**  
 CONNECTORS  
 ASSEMBLIES

PART NO. ZH-R-xx

DWG NO. ZH-R-xx

CHECKED BY CY

TOLERANCES ARE  
 .X ± 0.2  
 .XX ±  
 .XXX ±  
 AWG

FILE NO.

DRAWING BY

DESCRIPTION:

煜倫股份有限公司

UNIT / mm

SCALE 1:1

PROJECTION

AREA

REVISIONS

HK

DATE