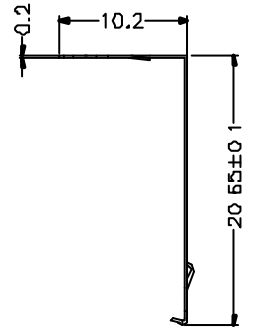
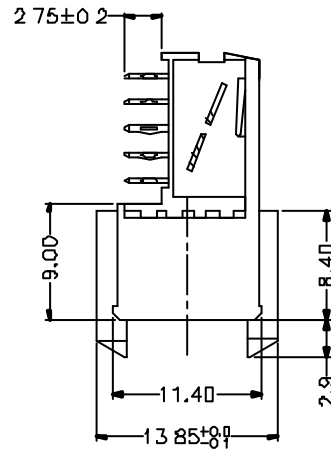
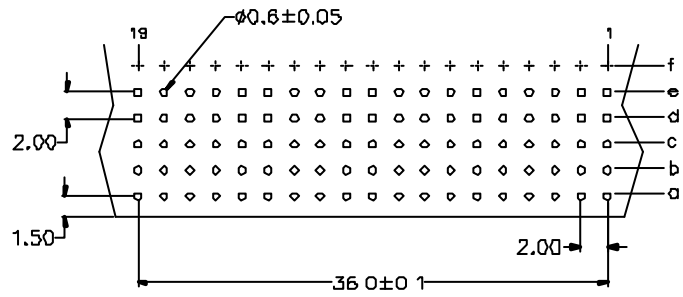
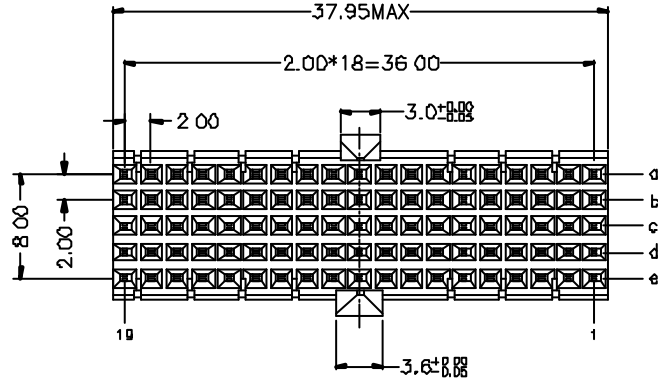


Bottom Shielded



Top Shielded



P.C. Board Layout  
(Top View)

HM7AB-SQx-095-LF  
LEADFREE  
X:WITHOUT COVER  
T:WITH TOP COVER  
B:WITH BOTTOM COVER  
A:WITH ALL COVER

RoHS Compliant

**MORETHANALL**  
CONNECTORS  
ASSEMBLIES

煜倫股份有限公司

PART NO. HM7AB-SQx-095

DWG NO. HM7AB-SQx-095

FILE NO.

UNIT / mm

SCALE 1:1

CHECKED BY CY

DRAWING BY

PROJECTION

TOLERANCES ARE

.X ± 0.2  
.XX ±  
.XXX ±  
AWG

DESCRIPTION:

2.00 Hard Metric  
Connector Female  
Right Angle Type AB-19

AREA

REVISIONS

HK

DATE