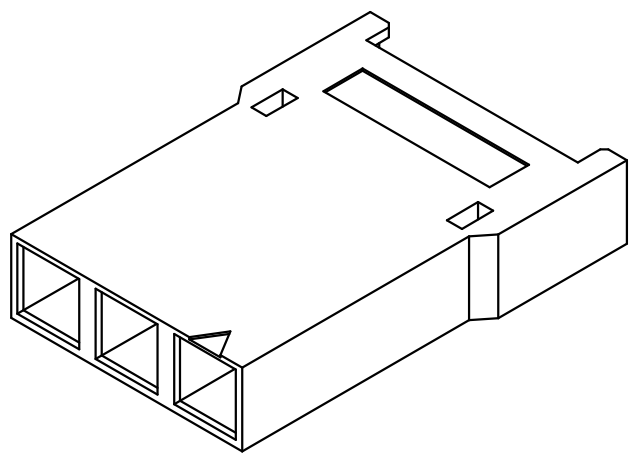
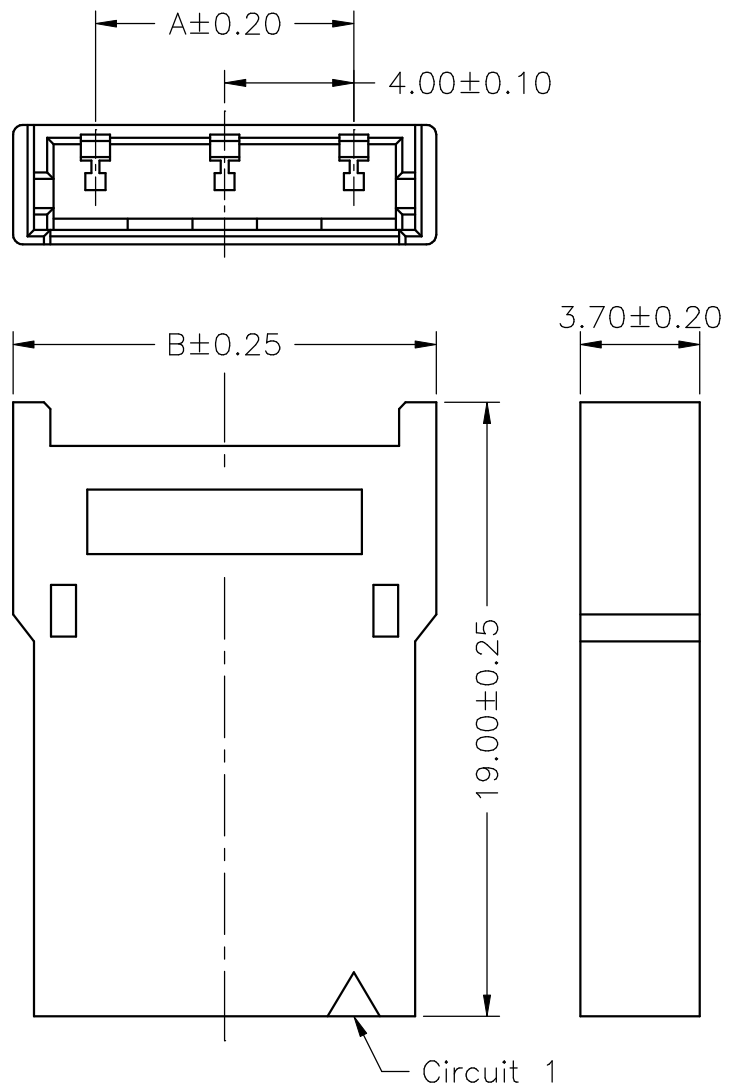


1 2 3 4 5 6 7 8 9 0

J  
I  
H  
G  
F  
E  
D  
C  
B  
A



**SPECIFICATIONS**  
 Current Rating: 1A AC,DC  
 Voltage Rating: 600V AC,DC  
 Temperature Range: -25°C ~ +85°C  
 Contact Resistance: 10mΩ Max  
 Insulation Resistance: 1000MΩ Min  
 Withstanding Voltage: 1800V AC/minute  
 Material: Nylon66,UL94V-0  
 Color: Natural(White)

**Ordering Information & Dimensions**

PART NO.	Dimensions	
	A	B
<b>BH-P-02</b>	4.00	9.10
<b>BH-P-03</b>	8.00	13.10
<b>BH-P-04</b>	12.00	17.10
<b>BH-P-05</b>	16.00	21.10

**BH-P-xx-LF**  
 LEADFREE  
**RoHS Compliant**

**MORETHANALL**  
 CONNECTORS  
 ASSEMBLIES  
 焯倫股份有限公司

PART NO. <b>BH-P-xx</b>		CHECKED BY CY	TOLERANCES ARE .X ± 0.2 .XX ± .XXX ± AWG	DESCRIP TION: <b>4.00mm PITCH HOUSING-PLUG</b>			
DWG NO. <b>BH-P-xx</b>					DRAWING BY	AREA	REVISIONS
FILE NO.	UNIT / mm	SCALE 1:1	PROJECTION				