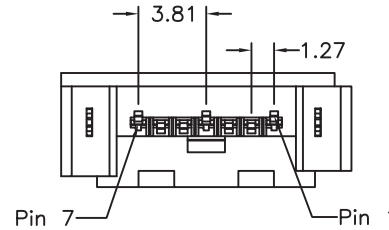


SECTION: B-B

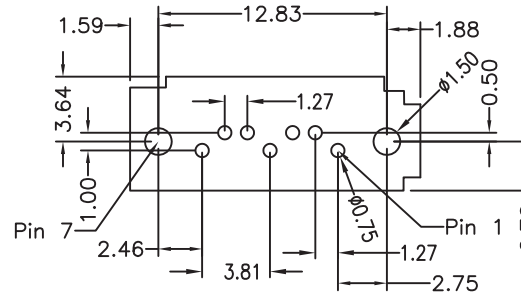
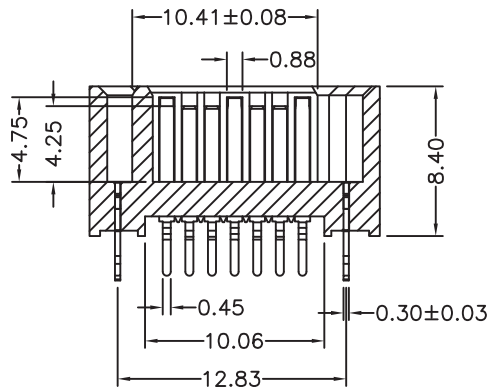


NOTES:

***Material**
Contact: Brass

***Electrical Specification**

Current Rating: 1.5 Ampere Per Contact;
Contact Resistance: 30 Milliohms Max
Insulation Resistance: 1000 Megohms Min.
Dielectric Withstanding Voltage: 500V AC



P.C.B (Layout) Top view

SECTION: A-A

RoHS Compliant

TOLERANCES ARE

MORETHANALL
PCB CONNECTORS
Cable ASSEMBLIES

DRAWING BY CY

CHECKED BY GENIUS

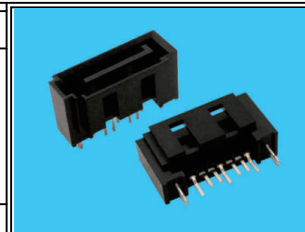
UNIT/ mm SCALE 1:1

DATE

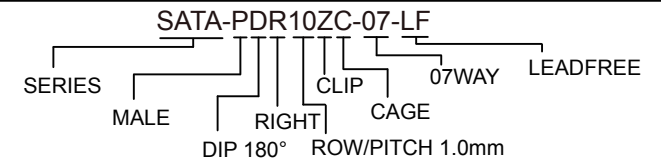
SIZE A4

X, ±
.X ± 0.30
.XX ± 0.25
.XXX ±
ANG ± 3°

P PROJECTION



ORDER INFORMATION



煜倫股份有限公司

www.morethanall.com

DESCRIPTION: