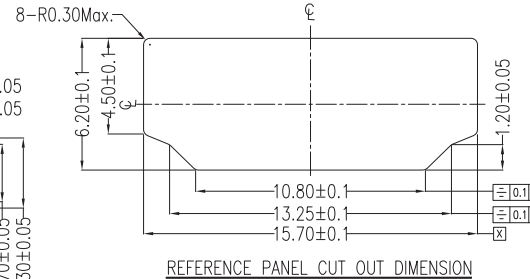
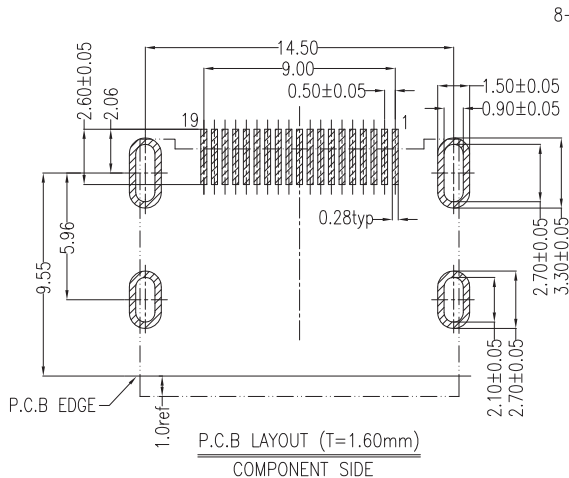
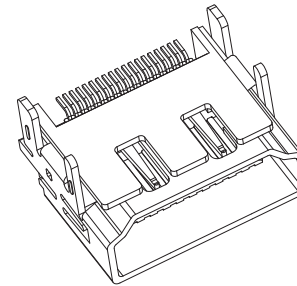
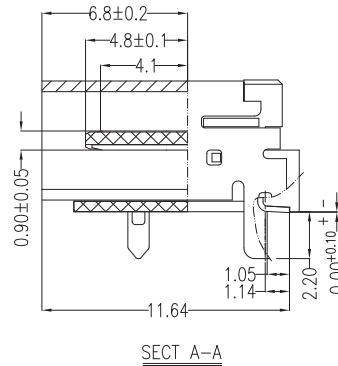
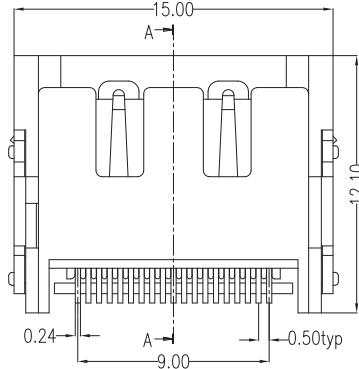


No.	Signal Name	No.	Signal Name
1	TMDS Data2+	11	TMDS Clock Shield
2	TMDS Data2 Shield	12	TMDS Clock-
3	TMDS Data2-	13	CEC
4	TMDS Data1+	14	Reserved (in cable but N.C. on device)
5	TMDS Data1 Shield	15	SCL
6	TMDS Data1-	16	SDA
7	TMDS Data0+	17	DDC/CEC Ground
8	TMDS Data0 Shield	18	+5V Power
9	TMDS Data0-	19	Hot Plug Detect
10	TMDS Clock+		



NOTES:

*Material

Housing: LCP+50%G.F., UL 94V-0 Rated; Color: Black.
 Shell: Brass.
 Plating: Nickle(40u" Min.) Plating .
 Contact: Brass.
 Plating: Gold plating on contact area;
 Tin(100u" Min.) plating on solder tail;
 Nickel(40u" Min.) underplating overall.

*Electrical Specification

Operation Voltage: 40 VAC max.
 Current Rating: 0.5 Ampere per contact
 Contact Resistance: 10 mΩ max.
 Insulation Resistance: 100 MΩ min.
 Dielectric Withstanding Voltage: 500 VAC

*Environmental

Operating Temperature: -20°C to +85°C

RoHS Compliant

TOLERANCES ARE

MORETHANALL
 PCB CONNECTORS
 Cable ASSEMBLIES

DRAWING BY CY

CHECKED BY GENIUS

UNIT/ mm

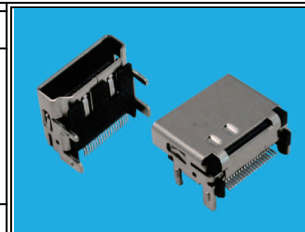
SCALE 1:1

DATE

SIZE A4

PPOJECTION

X. ±
 .X ± 0.38
 .XX ± 0.25
 .XXX ± 0.20
 ANG ± 3°



ORDER INFORMATION

HDMI-SWMS15-19-LF
 SERIES | 19WAY | LEADFREE
 SEMI GOLD 15u"
 METAL FOOT
 90° SMT
 FEMALE

DESCRIPTION:

煜倫股份有限公司

www.morethanall.com