

RECOMMEND P.C.B LAYOUT

NOTE:

1.ELECRTICAL PROPERTIES:

- 1-1.CONTACT CURRENT RATING:1.8A(ONLY PIN1,5) AT THE SAME TIME 0.5A AT CONTACT PIN 2,3,4 OTHER 1A(ONLY PIN2,3 4).
- 1-2.CONTACT RESISTANCE:30m Ohm MAX
- 1-3.INSULATION RESISTANCE:100M Ohm MIN AT DC 500V.
- 1-4.DIELECTRIC WITHSTANDING VOLTAGE:AC 100V AC/1 MINUTE 10mA.

2.MATERIAL:

- 2-1.PIN: BRASS
- 2-2.HOUSING: LCP COLOR:BLACK
- 2-3.SHELL: Stainless Steel

3.PLATING:

- 3-1.PIN:UNDERPLATED 50u" MIN,NICKEL OVER ALL.  
1u".3u".5u".10u".15u". 30u" GOLD ON CONTACT AREA.  
100u" MIN, TIN ON SOLDER TAILS.
- 3-2. SHELL: 30~80u" ,NICKEL OVER ALL.

No.	Part Name	Q'ty	Material	Thickness	Finish
3	SHELL	1	Stainless steel	T=0.30±0.01mm	Nickel Plated
2	CONTACT	5	Brass	T=0.20±0.01mm	Gold Flashfd
1	HOUSING	1	LCP		Black

RoHS Compliant

**MORETHANALL**  
PCB CONNECTORS  
Cable ASSEMBLIES

煜倫股份有限公司

www.morethanall.com

DRAWING BY CY

CHECKED BY GENIUS

UNIT/ mm

SCALE 1:1

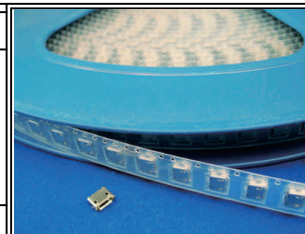
DATE

SIZE A4

PJECTION

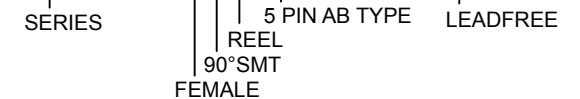
TOLERANCES ARE

X. ±  
.X ±  
.XX ±  
.XXX ±  
ANG ±

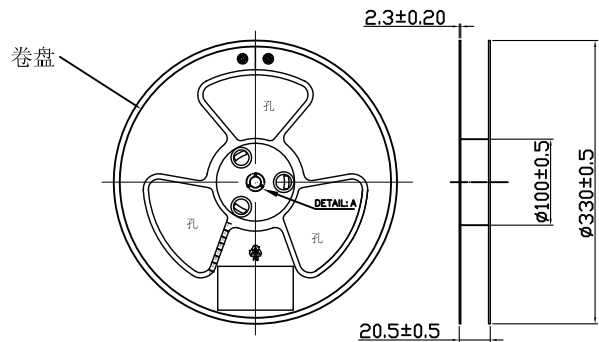


ORDER INFORMATION

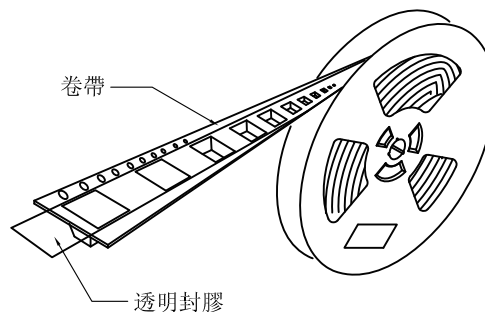
MISB-SWR-5AB-LF



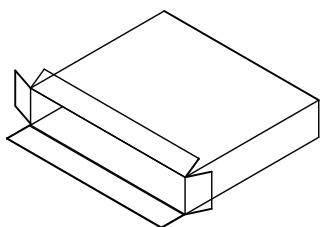
DESCRIPTION: MICRO USB 5PIN(F) A B TYPE (无定位柱)



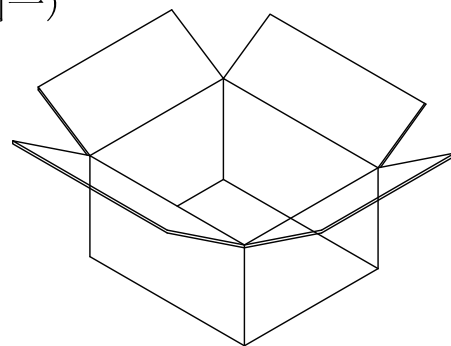
卷帶盤 (圖一)



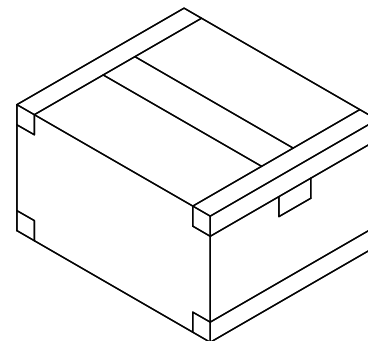
卷裝圖示 (圖二)



未封好  
內紙箱  
(圖三)



未封好  
外紙箱  
(圖四)



封好外  
紙箱  
(圖五)

包裝說明

1. 每卷帶盤裝1500PCS, 不可少數, 成品在盤內不可活動, 裝好後使用自動卷裝機粘合上透明封膠. 如圖(一, 二)所示. 卷帶盤規格為 $\phi 330.0 \times 20.5\text{MM}$ .
2. 將裝好的卷帶盤放入內紙箱內, 每個內紙箱放2盤, 用透明膠密封, 再將封裝好的內紙箱放入外紙箱中, 每個外紙箱放8個內紙箱, 共有產品24.0K, 最後用透明膠密封外紙箱. 如圖(三, 四, 五)所示. 內紙箱規格為 $350 \times 350 \times 58\text{MM}$ , 外紙箱規格為 $355 \times 368 \times 530\text{MM}$
3. 紙箱外貼上環保标签, 合格标签, 產品規格說明, 並且貼在外箱側面的箱面規格說明的右上方 (僅貼一側)
4. 包裝材料:(JPL007 ,RR002, ZX011, ZX004)

**MORETHANALL**  
PCB CONNECTORS  
Cable ASSEMBLIES

煜倫股份有限公司

www.morethanall.com

RoHS Compliant

DRAWING BY CY

CHECKED BY GENIUS

UNIT/mm

SCALE 1:1

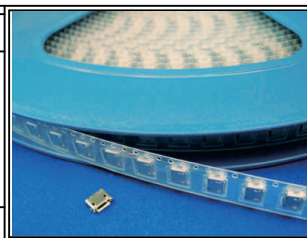
DATE

SIZE A4

TOLERANCES ARE

X, ±  
.X ±  
.XX ±  
.XXX ±  
ANG ±

PJECTION



ORDER INFORMATION

MISB-SWR-5AB-LF

SERIES REEL 5 PIN AB TYPE LEADFREE  
90°SMT FEMALE

DESCRIPTION: MICRO USB 5PIN(F) A B TYPE (无定位柱)