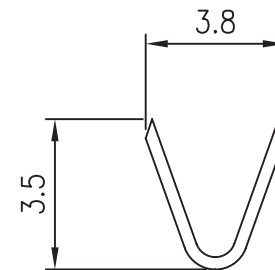
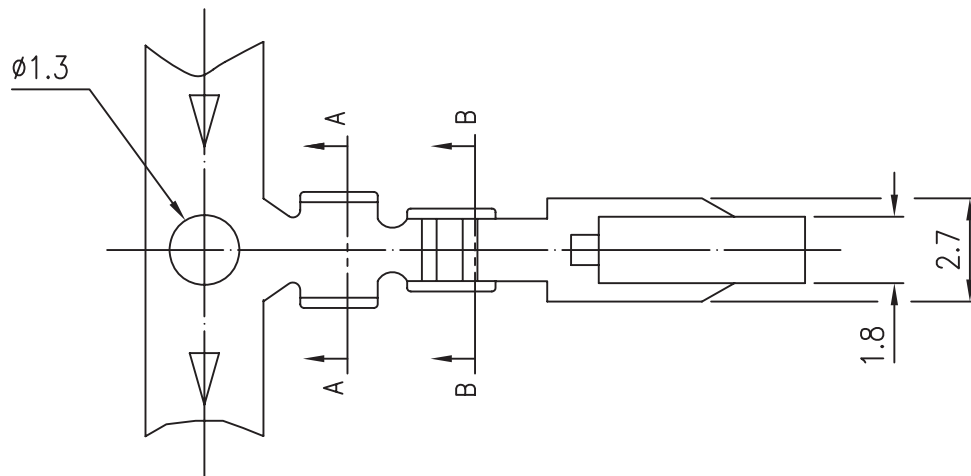
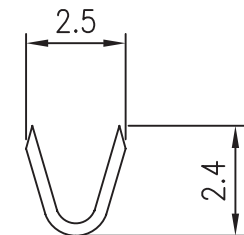


■ **TERMINAL**

- Part No: KK-T-18
- Material: Brass
- Thickness: 0.25mm
- Plating: Tin plated 60u"
- Wire Range: Suitable for AWG#18~26
- Insulation O.D: 2.5mm (max)
- Q'TY: 6,000 pcs/roll



A-A SECTION



B-B SECTION

RoHS Compliant

TOLERANCES ARE

MORETHANALL
PCB CONNECTORS
Cable ASSEMBLIES

煜倫股份有限公司

www.morethanall.com

DRAWING BY CY

CHECKED BY GENIUS

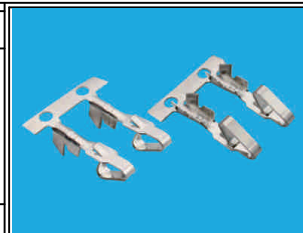
UNIT/mm SCALE 1:1

DATE

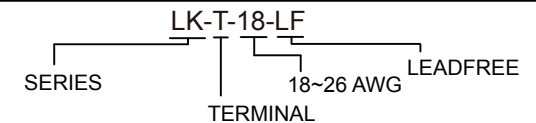
SIZE A4

X. ±
.X ±
.XX ±
.XXX ±
ANG ±

PROJECTION



ORDER INFORMATION



DESCRIPTION: 3.96mm Pitch Terminal