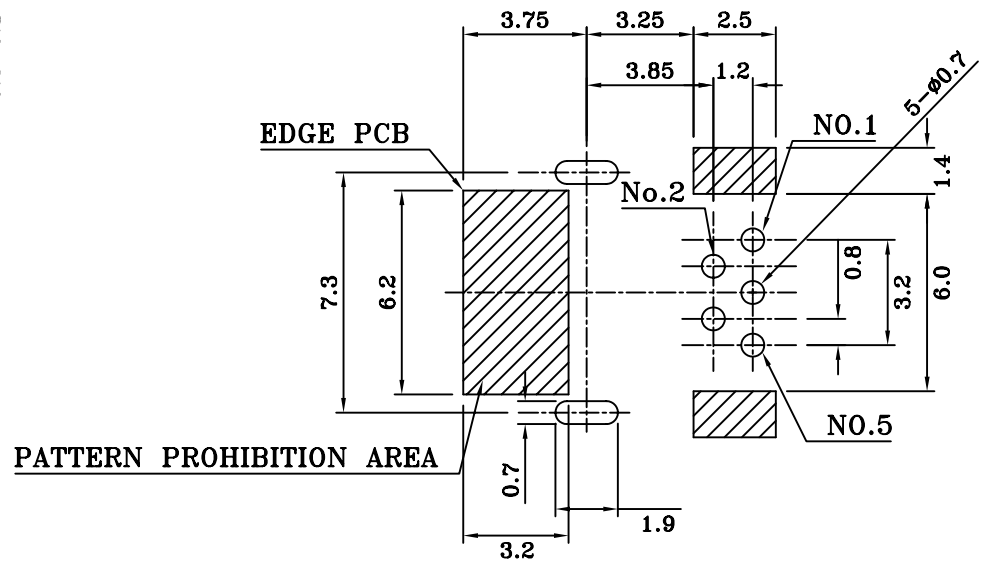
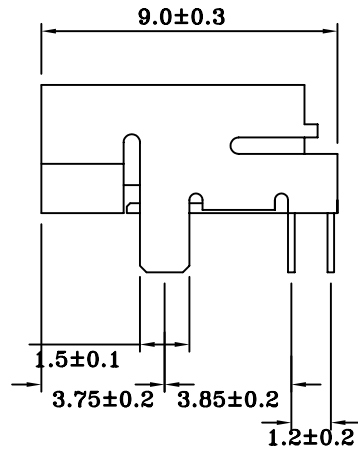
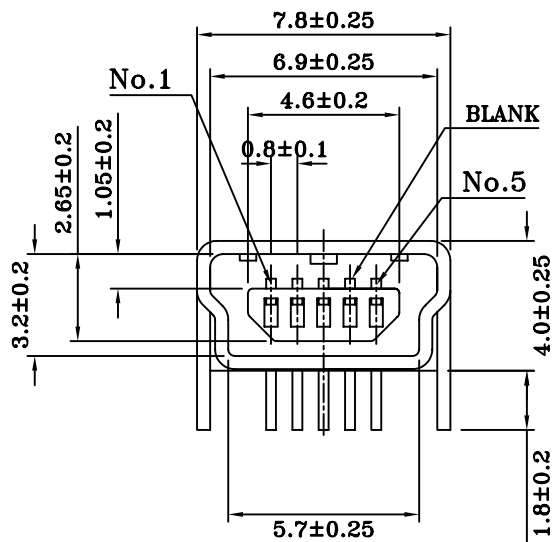


NO.	NAME	MATERIAL	FINISH	REMARK	Q'TY
1	HOUSING	NYLON PA9T G.F	BLACK		1
2	PIN TERM.	PHOS. BRONZE t:0.25mm	GOLD/TIN PLATED	Gold:30 μ" ; Ni:40~60 μ" ; TIN:120 μ" (100% pure Tin of lead free plating)	5
3	SHELL	BRASS t:=0.4	NICKEL PLATED	Ni:2~3u	1

MSB-SR-5B
5B
5BSGS:ROHS



RECOMMENDED PCB PATTERN LAYOUT
(PCB THICKNESS:0.8±0.1)



PART NO. MSB-SR-5B

DWG NO. MSB-SR-5B

CHECKED BY CY

TOLERANCES ARE

FILE NO.

DRAWING BY

.X ± 0.2
.XX ±
.XXX ±
AWG

DESCRIPTION:

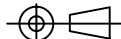
USB MINI B CONNECTOR
CONTACT-DIP,SHIELD-DIP

煜倫股份有限公司

UNIT / mm

SCALE 1:1

PROJECTION



AREA

REVISIONS

HK

DATE