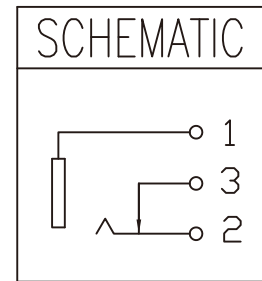
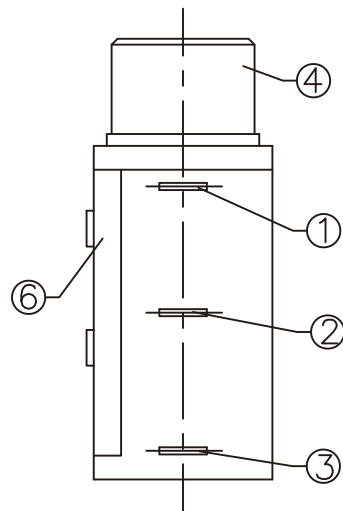


T:1.6 Dimensions of PC board holes  
Tolerance : ±0.1(Printed-top view)



UNLESS OTHERWISE SPECIFIED, TOLERANCE ON DECIMAL: ±0.3

7	HOUSING	1	PBT 4815	UL-94V0(BLACK)
6	COVER	1	PC	TRANSPARENT
5	SPRING	1	SWC	MB:Cu Ni PLATED
4	AXIS SUPPORT	1	H59(COPPER ALLOY)	MB:Cu Cu/Sn PLATED
3	CURVE PIECE	1	C2680 t=0.35	MB:Cu Sn PLATED
2	TOP SPRING	1	C5191 t=0.30	MB:Cu Sn PLATED
1	FLAT PIECE	1	C2680 t=0.30	MB:Cu Sn PLATED
LTR	PART NAME	QTY	MATERIAL	REMARK

RoHS Compliant

TOLERANCES ARE

**MORETHANALL**  
PCB CONNECTORS  
Cable ASSEMBLIES

煜倫股份有限公司

www.morethanall.com

DRAWING BY CY

CHECKED BY GENIUS

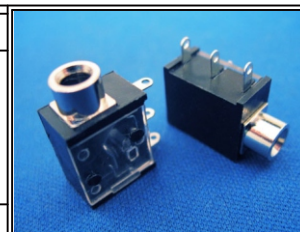
UNIT / mm SCALE 1 : 1

DATE

SIZE A4

PJECTION

X.±  
.X±  
.XX±  
.XXX±  
ANG±



ORDER INFORMATION

PJ-R15M-03B-LF  
SERIES | LEADFREE  
3P2C  
METAL  
1.7+5.4mm  
DIP 90°

DESCRIPTION: MINIATURE JACK