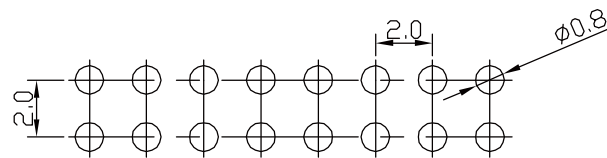


N=PIN數



RECOMMENDED P.C. BOARD HOLE DIMM.

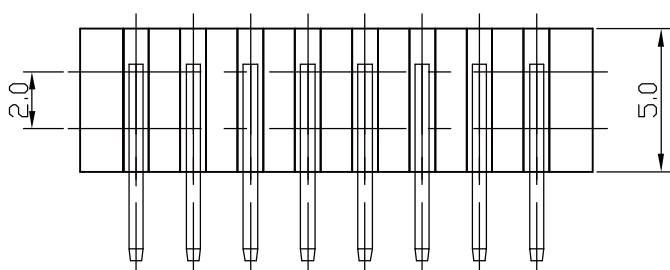
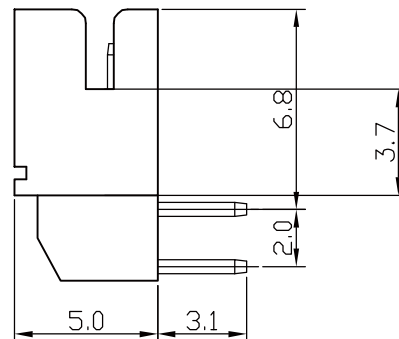
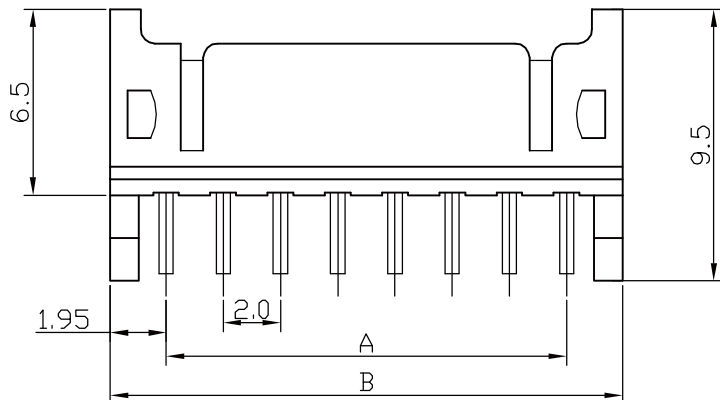
SPECIFICATIONS

Electrical

Current Rating: 2A AC DC
 Voltage Rating: 250V AC, DC
 Operating Temp.: -25°C ~ +85°C
 Contact Resistance: 20mΩ/Max.
 Insulation Resistance: 1000MΩ/Min.
 Withstanding voltage: 800V AC/minute

Material

Material Pin: Brass/ Tin-plated/ Gold-plated
 Material: Nylon 66, UL 94V-0+GF



Poles	Dimension mm (in.)		Note.
	A	B	
4	2.0	6.0	
6	4.0	8.0	
8	6.0	10.0	
10	8.0	12.0	
12	10.0	14.0	
14	12.0	16.0	
16	14.0	18.0	
18	16.0	20.0	
20	18.0	22.0	
22	20.0	24.0	
24	22.0	26.0	
26	24.0	28.0	
28	26.0	30.0	
30	28.0	32.0	
32	30.0	34.0	
34	32.0	36.0	
40	38.0	42.0	

RoHS Compliant

TOLERANCES ARE

MORETHANALL
 PCB CONNECTORS
 Cable ASSEMBLIES

煜倫股份有限公司

www.morethanall.com

DRAWING BY CY

CHECKED BY GENIUS

UNIT / mm

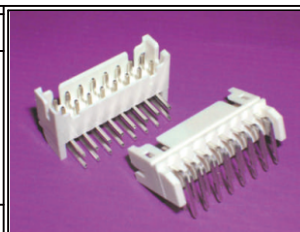
SCALE 1 : 1

DATE

SIZE A4

PJECTION

X.±
 .X±
 .XX±
 .XXX±
 ANG ±



ORDER INFORMATION

PHD-R-xx-LF
 SERIES | LEADFREE
 04~40WAY
 DIP 90°

DESCRIPTION: 2.0mm Wire-to-Board Header 90° Dual Row Type