

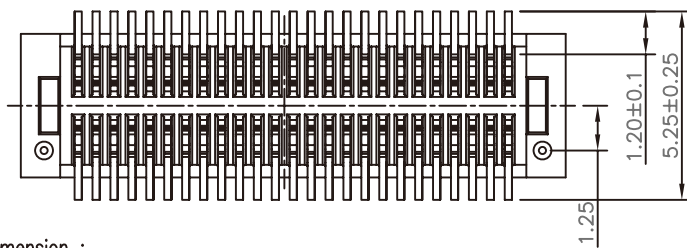
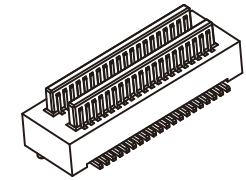
Mating Drawing (Ref)

Specifications :

1. Current Rating : 0.5A AC/DC
2. Voltage Rating : 50V AC/DC
3. Contact Resistance : 30m ohm. max.
4. Insulation Resistance : 100M ohm. min.at 100V DC
5. Withstanding Voltage : 100V AC for one minute
6. Operating Temperature Range : -20°C to +105°C

Material and Plated:

- 1.Housing :High Temp. Plastic (Nylon 46 UL94V-0)
Color :White
- 2.Contact : Phosphor Bronze
- 3.Plated : Gold Plated

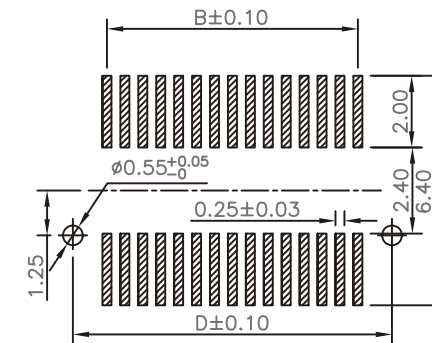


Dimension :

Contact	DIM. A	DIM. B	DIM. C	DIM. D	DIM. E	Contact	DIM. A	DIM. B	DIM. C	DIM. D	DIM. E	Contact	DIM. A	DIM. B	DIM. C	DIM. D	DIM. E
10	5.20	2.00	2.92	3.90	3.20	28	9.70	6.50	7.42	8.40	7.70	46	14.20	11.00	11.92	12.90	12.20
12	5.70	2.50	3.42	4.40	3.70	30	10.20	7.00	7.92	8.90	8.20	48	14.70	11.50	12.42	13.40	12.70
14	6.20	3.00	3.92	4.90	4.20	32	10.70	7.50	8.42	9.40	8.70	50	15.20	12.00	12.92	13.90	13.20
16	6.70	3.50	4.42	5.40	4.70	34	11.20	8.00	8.92	9.90	9.20	60	17.70	14.50	15.42	16.40	15.70
18	7.20	4.00	4.92	5.90	5.20	36	11.70	8.50	9.42	10.40	9.70	70	20.20	17.00	17.92	18.90	18.20
20	7.70	4.50	5.42	6.40	5.70	38	12.20	9.00	9.92	10.90	10.20	80	22.70	19.50	20.42	21.40	20.70
22	8.20	5.00	5.92	6.90	6.20	40	12.70	9.50	10.42	11.40	10.70	90	25.20	22.00	22.92	23.90	23.20
24	8.70	5.50	6.42	7.40	6.70	42	13.20	10.00	10.92	11.90	11.20	100	27.70	24.50	25.42	26.40	25.70
26	9.20	6.00	6.92	7.90	7.20	44	13.70	10.50	11.42	12.40	11.70	120	32.70	29.50	30.42	31.40	30.70

**Mating Dimension

P/N(Plug)	P/N(Socket)	Socket Height Dim	Mating Height Dim B1
NP05K-P20PC-xxx	NP05K-S30PC-xxx	3.00	5.0



PCB LAYOUT

RoHS Compliant



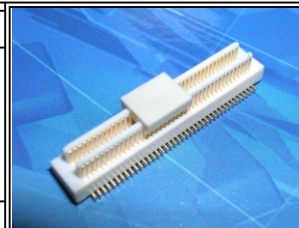
煜倫股份有限公司

www.morethanall.com

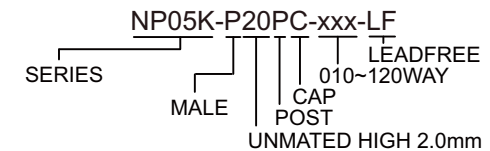
DRAWING BY CY
CHECKED BY GENIUS
UNIT / mm SCALE 1:1
DATE
SIZE A4 PPROJECTION

TOLERANCES ARE

- X, ±
- .X, ±
- .XX, ±
- .XXX, ±
- ANG, ±



ORDER INFORMATION



DESCRIPTION: