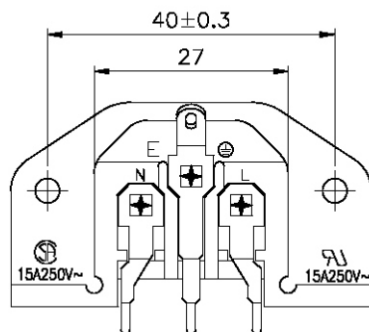
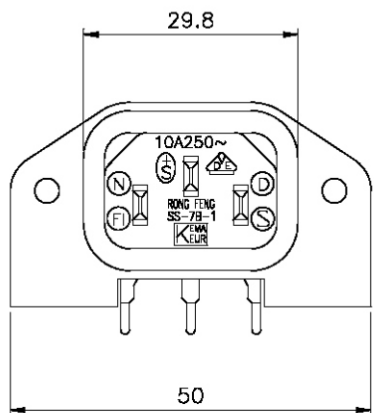
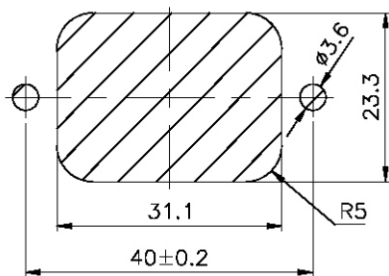


STANDARD : IEC 320 C14  
 RATING : 15A250V AC  
 APPROVALS : UL/CSA  
 RATING : 10A 250V~  
 APPROVALS : VDE/DEMKO/NAMKO/ SEV/  
 SEMKO/FIMKO/KEMA/ CCEE

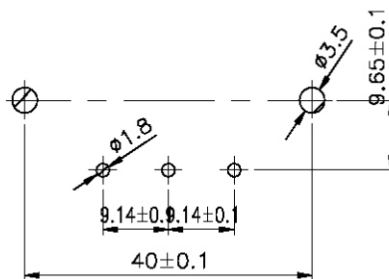


**ACF-PR9-03-LF**  
 LEADFREE

**RoHS Compliant**



PANEL CUT-OUT



PCB LAYOUT

**MORETHANALL**  
 CONNECTORS  
 ASSEMBLIES

PART NO. **ACF-PR9-03**

DWG NO. **ACF-PR9-03**

FILE NO.

UNIT / mm

SCALE 1:1

CHECKED BY CY

DRAWING BY

PROJECTION

TOLERANCES ARE

.X ± 0.2  
 .XX ±  
 .XXX ±  
 AWG

DESCRIPTION:

AREA

REVISIONS

HK

DATE

煜倫股份有限公司