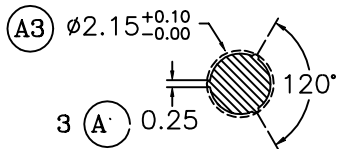
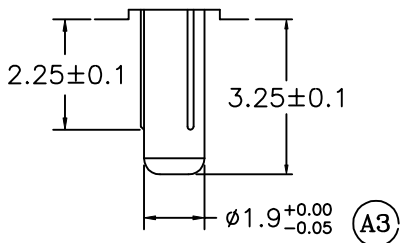
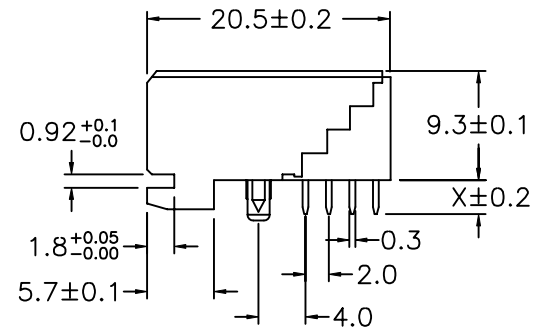
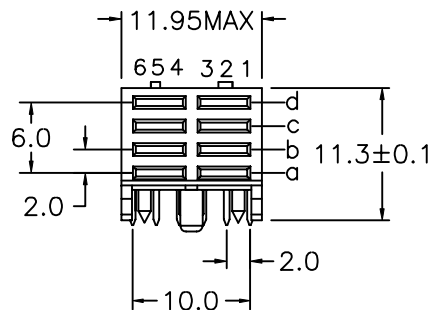


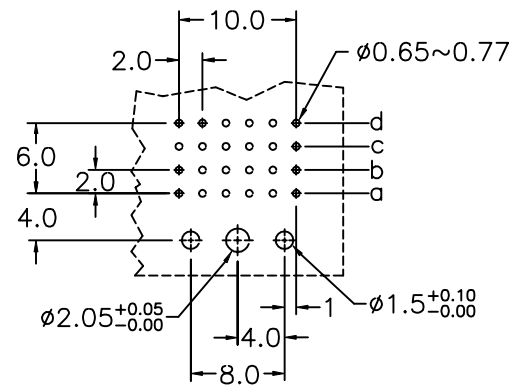
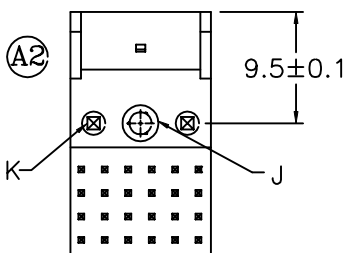
X	1	2
Length	2.90	3.53



Detail K
(Scale 5 : 1)



Detail J
(Scale 5 : 1)



P.C. Board Layout

MORETHANALL
CONNECTORS
ASSEMBLIES

煜倫有限公司

PART NO. **FUP-SRxx-4X02**

DWG NO. **FUP-SRxx-4X02**

FILE NO.

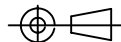
UNIT / mm

SCALE 1:1

CHECKED BY CY

DRAWING BY

PROJECTION



TOLERANCES ARE

.X ±
.XX ±
.XXX ±
AWG

DESCRIPTION:

AREA

H.D. Female 2.0mm
Dip Power Type

REVISIONS

HK

DATE