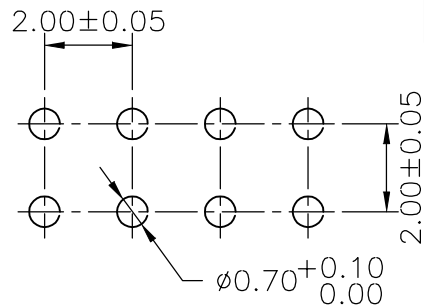
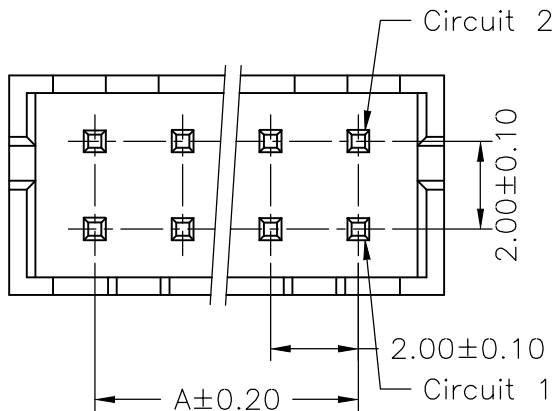
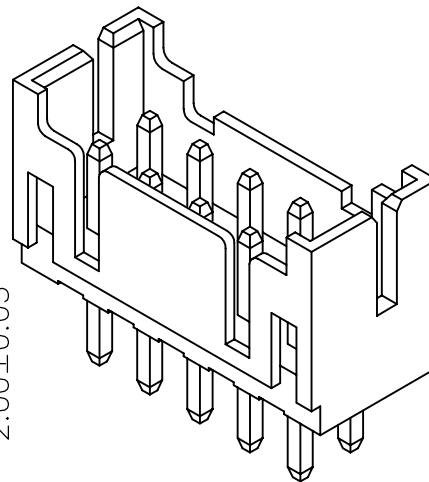


1 2 3 4 5 6 7 8 9 0

J
I
H
G
F
E
D
C
B
A



P.C.B LAYOUT

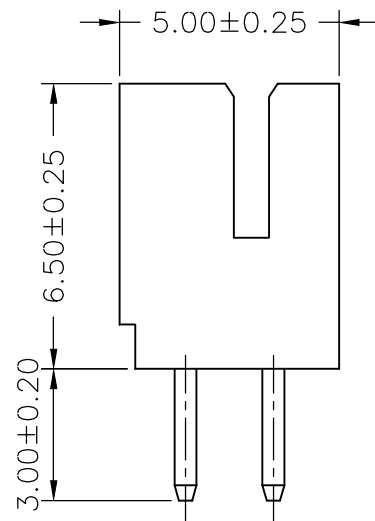
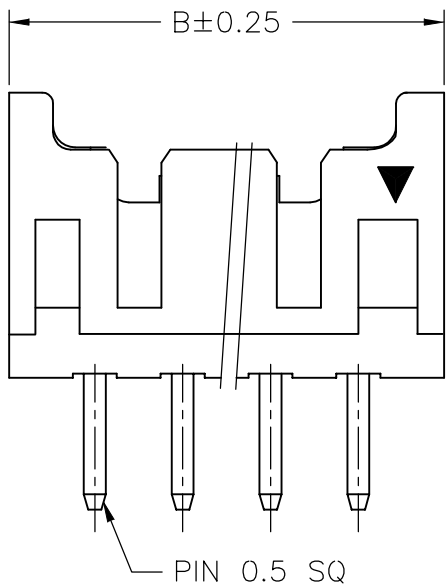


SPECIFICATIONS

Current Rating: 2A AC,DC
 Voltage Rating: 250V AC,DC
 Temperature Range: -25°C ~ +85°C
 Contact Resistance: 20mΩ Max.
 Insulation Resistance: 1000MΩ Min.
 Withstanding Voltage: 800V AC/minute
 Pin Material: Bass/Tin-plated
 Material: Nylon 66,UL94V-0

Ordering Information & Dimensions

PART NO.	Dimensions	
	A	B
PHD-D-04	2.00	6.00
PHD-D-06	4.00	8.00
PHD-D-08	6.00	10.00
PHD-D-10	8.00	12.00
PHD-D-12	10.00	14.00
PHD-D-14	12.00	16.00
PHD-D-16	14.00	18.00
PHD-D-18	16.00	20.00
PHD-D-20	18.00	22.00
PHD-D-22	20.00	24.00
PHD-D-24	22.00	26.00
PHD-D-26	24.00	28.00
PHD-D-28	26.00	30.00
PHD-D-30	28.00	32.00
PHD-D-32	30.00	34.00
PHD-D-34	32.00	36.00
PHD-D-36	34.00	38.00
PHD-D-38	36.00	40.00
PHD-D-40	38.00	42.00



PHD-D-xx-LF

LEADFREE

RoHS Compliant



煜倫股份有限公司

PART NO. PHD-D-xx		CHECKED BY CY	TOLERANCES ARE .X±0.2 .XX± .XXX± AWG	DESCRIPTION: 2.00mm PITCH 180° WAFER
DWG NO. PHD-D-xx				
FILE NO.		DRAWING BY	AREA	REVISIONS
UNIT / mm	SCALE 1:1	PROJECTION		