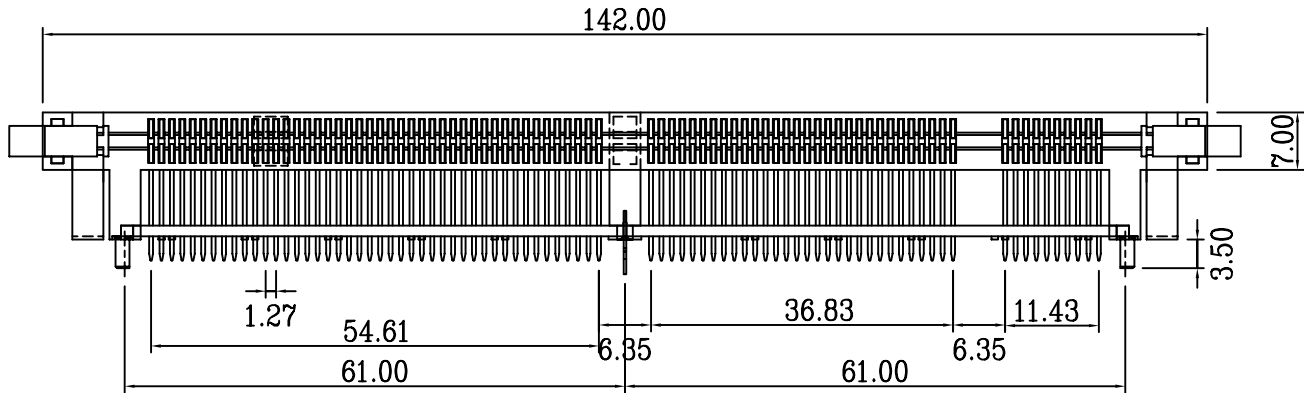
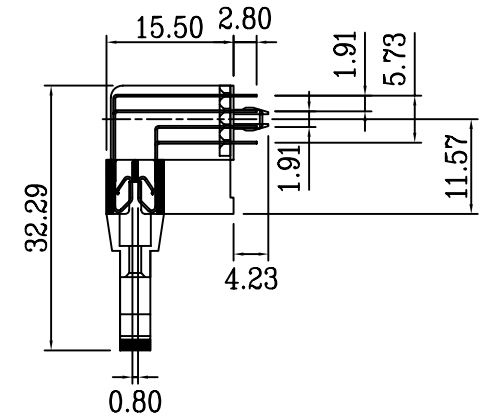
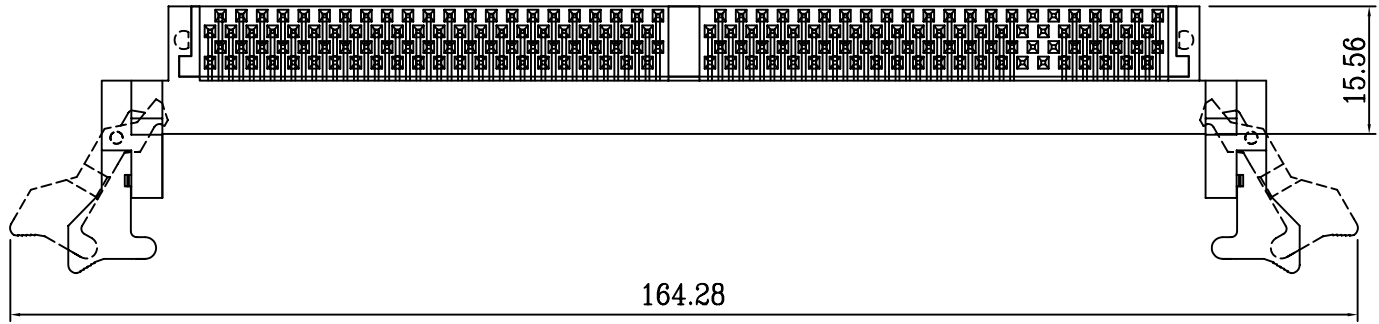


1 2 3 4 5 6 7 8 9 0

J
I
H
G
F
E
D
C
B
A



MORETHANALL
CONNECTORS
ASSEMBLIES

煜倫有限公司

PART NO. DIM-R15-168	
DWG NO. DIM-R15-168	
FILE NO.	
UNIT / mm	SCALE 1:1

CHECKED BY	CY
DRAWING BY	
PROJECTION	

TOLERANCES ARE
.X ± 0.15
.XX ± 0.10
.XXX ± 0.05
AWG

DESCRIP TION:	Dimm Socket 168P 90°			
AREA	REVISIONS	HK	DATE	