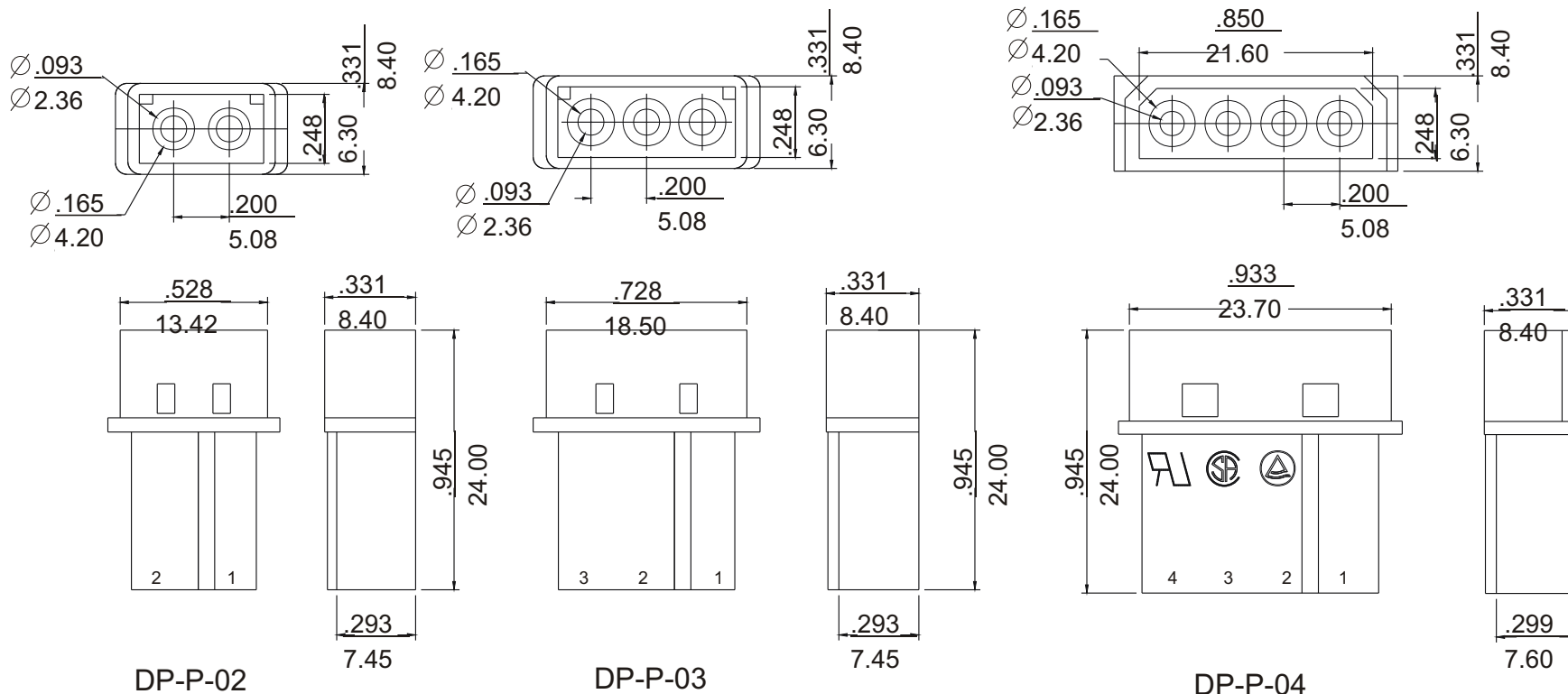


- * Material: Nylon UL 94V-2
- * Current rating : 5A, AC/DC
- * Voltage rating : 250V, AC/DC
- * Color : Natural
- * 2,3 & 4 circuits available



inch
mm



焯倫有限公司

PART NO. DP-P-xx		APPROVED BY CY		TOLERANCES ARE		DESCRIP TION:					
DWG NO. DP-P-xx		DRAWING BY		X .XX .XXX AWG							
FILE NO.		PROJECTION		AREA		REVISIONS		HK		DATE	