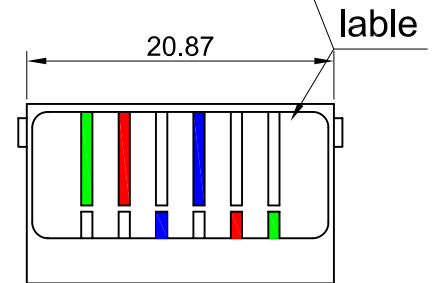
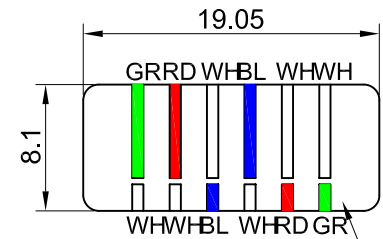
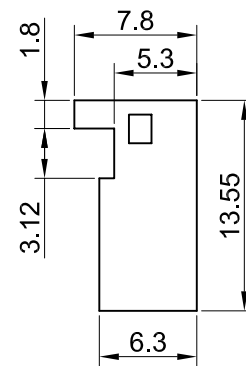
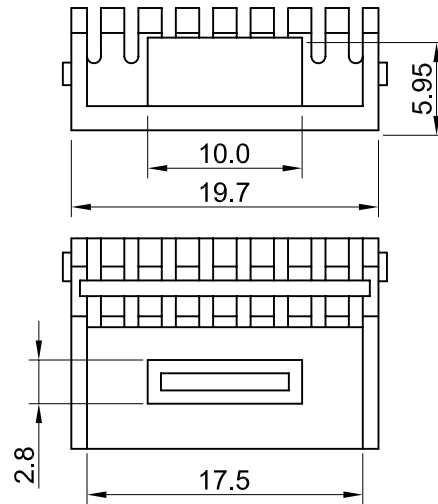


MJK16-IKP06-0606-LF
LEADFREE

RoHS Compliant



PART NO. MJK16-IKP06-0606

DWG NO. MJK16-IKP06-0606

FILE NO.

UNIT / mm

SCALE 1:1

CHECKED BY CY

DRAWING BY

PROJECTION

TOLERANCES ARE

.X ± 0.2
.XX ±
.XXX ±
AWG

DESCRIP TION:

C3 Tooless Keystone Jack,6p6c

AREA

REVISIONS

HK

DATE

煜倫股份有限公司