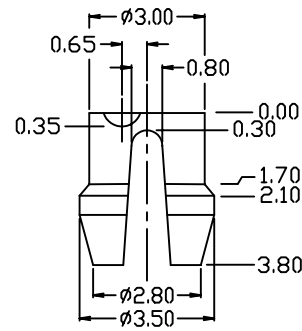
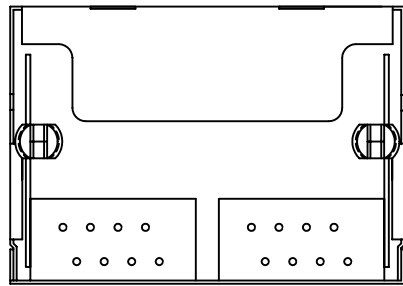
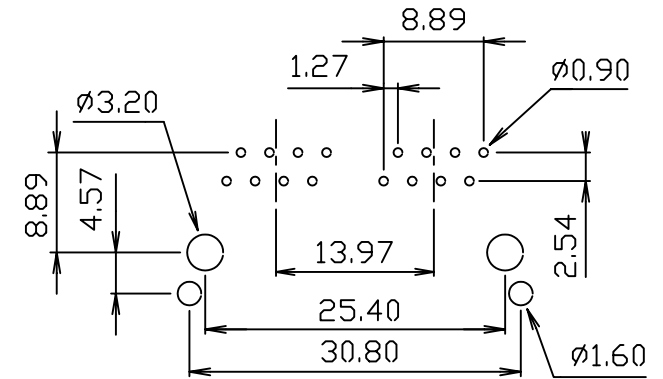


MATERIAL: • HOUSING-PBT PULYESTER UL94V-0  
 MIXED GLASS FIBER,  
 STANDARD CULLUR-BLACK  
 • CONTACTS-0.45mm DIA. ROUND CONTACTS  
 PHUS-BRUNZE PLATED WITH  
 HARD GULD.  
 • MATEL SHIELD-0.25mm THICK CUPPER ALLUY,  
 PLATED WITH NICKEL.  
 CAVITY CONFIRMS TU FCC RULES AND REGULATIUNS  
 PART 68,SUBPART F.



DETAIL X



PC Board Layout

**MORETHANALL**  
 PCB CONNECTORS  
 Cable ASSEMBLIES

煜倫股份有限公司

www.morethanall.com

RoHS Compliant

DRAWING BY CY

CHECKED BY GENIUS

UNIT / mm SCALE 1 : 1

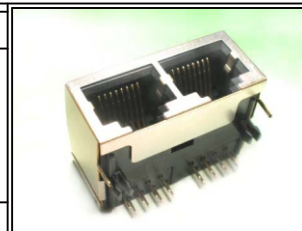
DATE

SIZE A4

TOLERANCES ARE

X, ±  
 .X ±  
 .XX ±  
 .XXX ±  
 ANG ±

P PROJECTION



ORDER INFORMATION

MJF13A2-KX06A4-0808-LF

SERIES | | | | LEADFREE  
 BLACK | | | | 8P8C  
 | | | | FRONT TAB 4.57mm  
 | | | | 06u" GOLD  
 | | | | NON EARS

DESCRIPTION: 2 PARTS 8PUSITIUN SHIELDED SIDE ENTRY PCB GANGED JACK