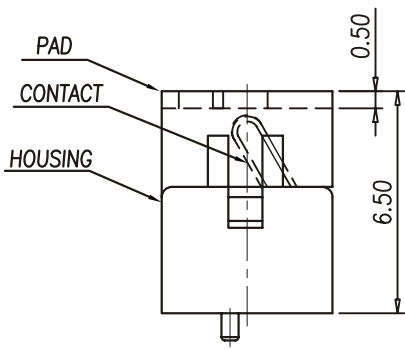
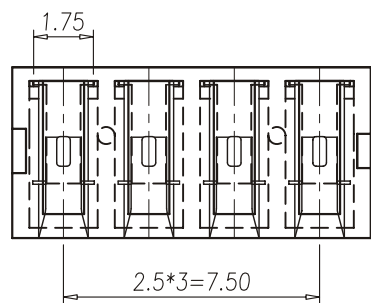
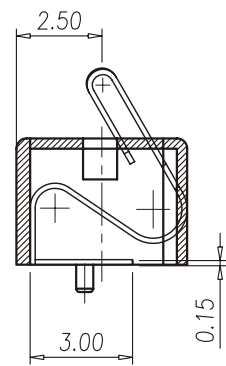
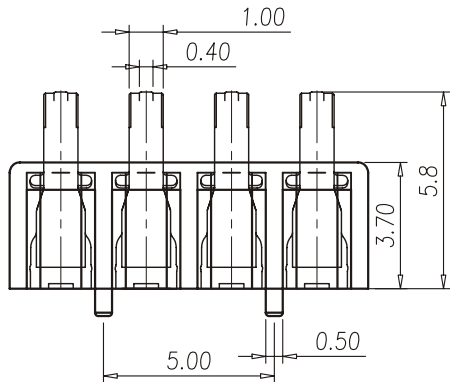
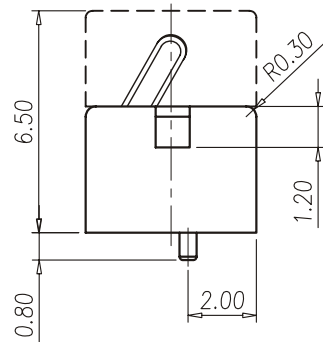


RECOMMEND PCB LAYOUT

- NOTE:**  
SPECIFICATIONS:
- GENERAL REQUIREMENTS:
    - 1-1 OPERATING TEMPERATURE RANGE:-40°C TO +85°C
    - 1-2 STORAGE TEMPERATURE RANGE:-40°C TO +100°C
    - 1-3 HUMIDITY RANGE:10%RH TO 80%RH
  - ELECTRICAL REQUIREMENTS:
    - 2-1 RATED CURRENT(PER CONTACT):  
1.5 AMPS CONTINUOUS 2.3AMPS PULSES
    - 2-2 RATED VOLTAGE(PER CONTACT):200 VAMS AT SEA LEVA
    - 2-3 INSULATION RESISTANCE(I.R):1000MEGACHOMS Min.
    - 2-4 DIELECTRIC WITHSTANDING VOLTAGE(DWV):500VAC
    - 2-5 CONTACT RESISTANCE(PER CONTACT) : 25 MILLIOHMS MAX
  - MECHANICAL REQUIREMENTS
    - 3-1 NORMAL FORCE: 140g Max.(FOR DEFLECTION 1.8mm)
    - 3-2 DURABILITY(Min.):REUSABLE 10,000 TIMES WITHOUT DEGRADING ELECTRICAL CHARACTERISTICS.
    - 3-3 COPLANARITY(Max.): 0.1mm FORM SEATING PLANE
  - PACKAGING
    - 4-1 TAPE WIDTH: 32 mm
    - 4-2 TAPE PITCH: 12 mm



ITEM	DESCRIPTION	MATERIAL	PLATING	Q'TY
1	HOUSING	LCP(E130i)		1
2	PAD	LCP(E130i)		1
3	CONTACT	BERYLLIUM COPPER	CONTACT GOLD 30u" REMNANT GOLD FLASH OVER NI50u" ▲	4

BCS25-V37PC-04-LF  
LEADFREE

RoHS Compliant



PART NO. BCS25-V37PC-04

DWG NO. BCS25-V37PC-04

CHECKED BY CY

TOLERANCES ARE

DESCRIPTION: 4PIN 電池座5.8mm

FILE NO.

DRAWING BY

.X ± 0.2  
.XX ± 0.1  
.XXX ± .015

AREA	REVISIONS	HK	DATE

煜倫股份有限公司

UNIT / mm

SCALE 1:1

PROJECTION

AWG