

Technical Data:

Material:


- △ Contact(metal housing): Brass Stamping
- △ Wire guard: PhBz, Tin plated
- Terminal screw: Steel galvanized and chromated or Nickel plated or Tin plated(standard)(optian)
- Solder Pin: Brass with Tin plated
- Insulator body(housing): Polyamide(Glass filled)(UL94V-0)

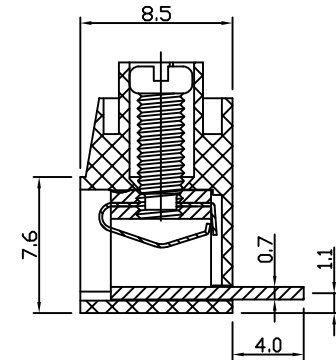
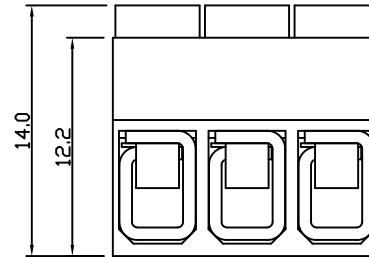
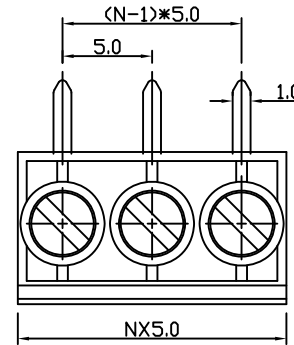
Electrical

- Voltage rating: 250VAC
- Current rating: 15 Amps/way max
- Contact resistance: 20mΩ (max)
- Insulation resistance: 5000MΩ /1000V
- Withstanding Voltage: 1500VAC(1min) Test time=60sec/1pcs
- Wire range: 12-22AWG

Mechanical:

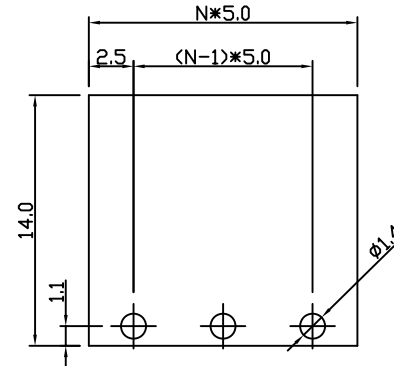
- Torque: 4kg-cm/M2.5
- △ Operating temperature: -33°C to +120°C
- Soldering reliability:
  - Test temperature= 250°C±10°C
  - 5 seconds max

 Safety approval deta:



N=Number of contacts

P.C.B. LAYOUT



RoHS Compliant

TOLERANCES ARE



煜倫股份有限公司

www.morethanall.com

DRAWING BY CY

CHECKED BY GENIUS

UNIT / mm

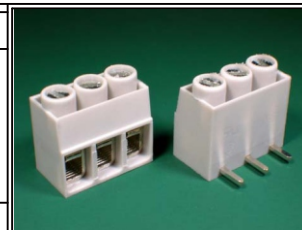
SCALE 1 : 1

DATE

SIZE A4

P PROJECTION 

X. ±  
.X ±  
.XX ±  
.XXX ±  
ANG ±



ORDER INFORMATION

TBN050-R14-xx-LF

SERIES

LEADFREE

02-24WAY

LONG 14.0mm

DIP 90°

DESCRIPTION: