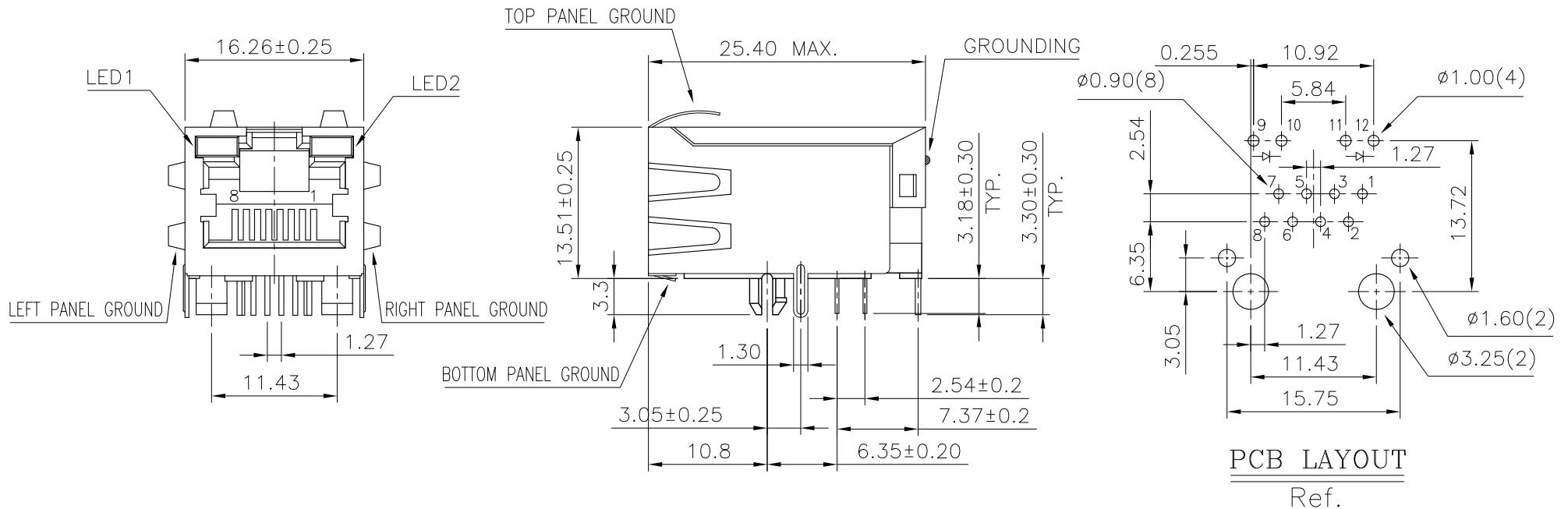


MATERIAL:

- HOUSING—PBT POLYESTER UL94V-0
MIXED GLASS FIBER.
STANDARD COLOR—BLACK.
- CONTACTS—0.35mm THICK PHOS-BRONZE PLATED
WITH HARD GOLD AND GOLD FLASH IN
SOLDER AREA.
- SHIELD—0.20mm THICK COPPER ALLOY,
PLATED WITH NICKEL.

CAVITY CONFIRMS TO FCC RULES AND REGULATIONS
PART 68,SUBPART F.



RoHS Compliant

TOLERANCES ARE

MORETHANALL
PCB CONNECTORS
Cable ASSEMBLIES

DRAWING BY CY

X.±

CHECKED BY GENIUS

.X±

UNIT / mm

SCALE 1 : 1

.XX±

DATE

.XXX±

ANG ±

煜倫股份有限公司

www.morethanall.com

SIZE A4

PPOJECTION



ORDER INFORMATION

MJF13T25UL-KF06B3xx-0808

SERIES

8P8C

BLACK

LED1 / LED2

FULL SPRING

YG:YELLOW / GREEN

06u" GOLD

GY:GREEN / YELLOW

GG:GREEN / GREEN

REAR TAB 3.05mm

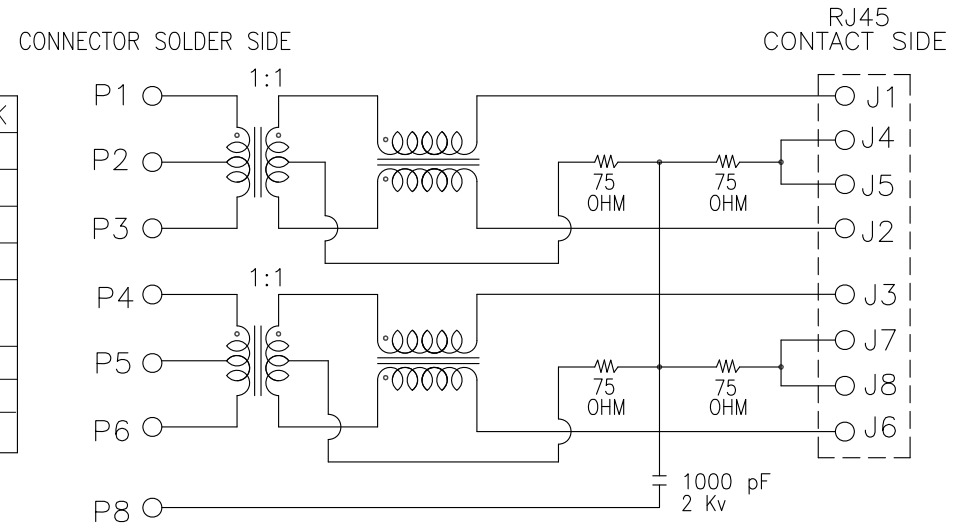
DESCRIPTION: SINGLE PORT, RJ45, WITH LED'S DIP TYPE, SIDE ENTRY.

TRANSFORMER TYPE 1

Specification :

Item	Parameter	Condition	Min.	Typ.	Max.	Unit	REMARK
1	Insertion loss	1-100 MHz			-1	dB	
2	Return loss	1-30 MHz	-20			dB	
		30-60 MHz	-15			dB	
		60-80 MHz	-12			dB	
3	Primary Inductance @100KHz, 0.1Vrms, 8mA DC BIAS	(J1-J2), (J3-J6)	350			μH	
4	Crosstalk	1-100 MHz	-35			dB	
5	Hipot	Vrms	1.5			kV	
6	COMMON MODE REJECTION	1-100 MHz	-35			dB	

* OPERATING TEMPERATURE RANGE: 0°C TO +70°C.



CONNECTOR SCHEMATIC

RoHS Compliant

TOLERANCES ARE

MORETHANALL
PCB CONNECTORS
Cable ASSEMBLIES

DRAWING BY CY

CHECKED BY GENIUS

UNIT / mm SCALE 1 : 1

DATE

SIZE A4

X. ±
.X ±
.XX ±
.XXX ±
ANG ±



ORDER INFORMATION

MJF13T25UL-KF06B3xx-0808

SERIES

BLACK
FULL SPRING

06u" GOLD

8P8C

LED1 / LED2
YG:YELLOW / GREEN
GY:GREEN / YELLOW
GG:GREEN / GREEN
REAR TAB 3.05mm

煜倫股份有限公司

www.morethanall.com

PPOJECTION

DESCRIPTION: SINGLE PORT, RJ45, WITH LED'S DIP TYPE, SIDE ENTRY.