

Unit: mm; Tolerances: ± 0.05 mm
Reference dimension for PCB layout (8 pins)

- Note:
- Coplanarity of solder pins 0.10mm max.
 - Recommended thickness of solder paste > 0.15mm.

RoHS Compliant

TOLERANCES ARE

MORETHANALL
PCB CONNECTORS
Cable ASSEMBLIES

DRAWING BY CY

X, \pm

CHECKED BY GENIUS

.X, \pm

UNIT / mm

SCALE 1 : 1

.XXX, \pm

DATE

ANG, \pm

SIZE A4

PJECTION



ORDER INFORMATION

SCV-W2830PBR-08-LF

SERIES | | | | LEADFREE
08WAY

90°SMT REEL

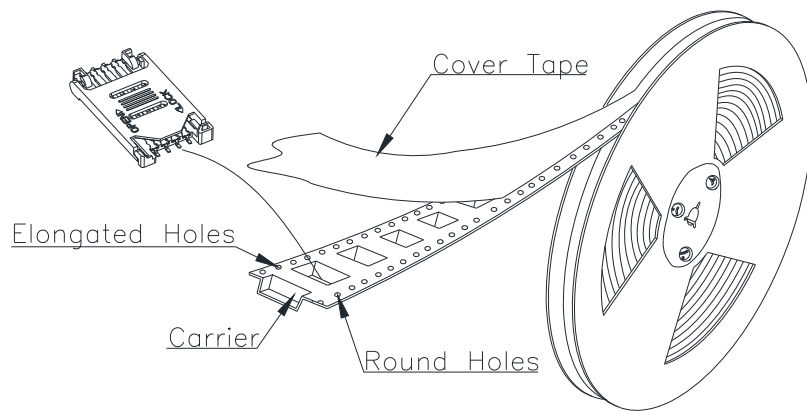
PAD TO PAD 28.18mm OPEN SWITCH

HIGH 3.0mm WITH LOCATING PEG

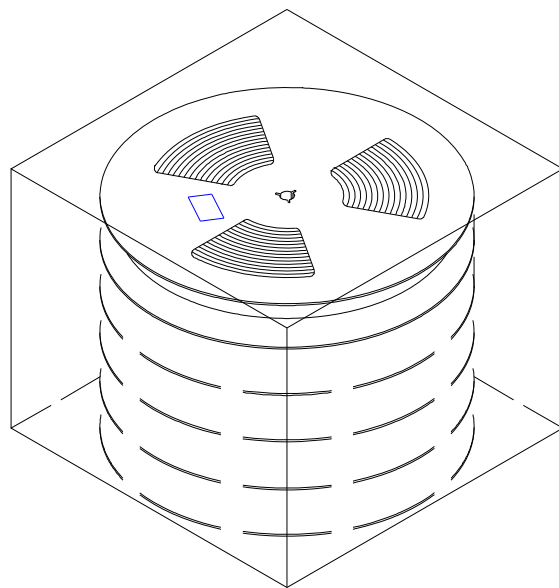
煜倫股份有限公司

www.morethanall.com

DESCRIPTION:



N.W.: 0.86 KGS
G.W.: 1.52 KGS
Q Y: 600 PCs per reel
Meas.: dia. 33 CM, W 4.4 CM



N.W.: 5.15 KGS
G.W.: 10.0 KGS
Q Y: 3,600 PCs per carton
 (6 reels set in order)
Meas.: 36.5L x 36.5W x 36.0H CM

RoHS Compliant

TOLERANCES ARE

MORETHANALL
 PCB CONNECTORS
 Cable ASSEMBLIES

煜倫股份有限公司

www.morethanall.com

DRAWING BY CY

CHECKED BY GENIUS

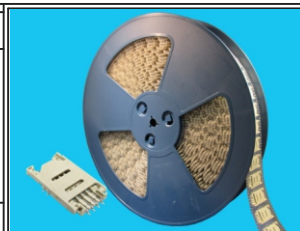
UNIT / mm SCALE 1:1

DATE

SIZE A4

X. ±
 .X ±
 .XX ±
 .XXX ±
 ANG ±

P PROJECTION



ORDER INFORMATION

SCV-W2830PBR-08-LF

SERIES | | | | LEADFREE
 08WAY

90°SMT REEL

PAD TO PAD 28.18mm OPEN SWITCH

HIGH 3.0mm WITH LOCATING PEG

DESCRIPTION: