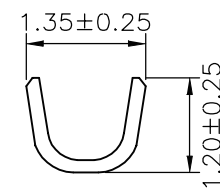
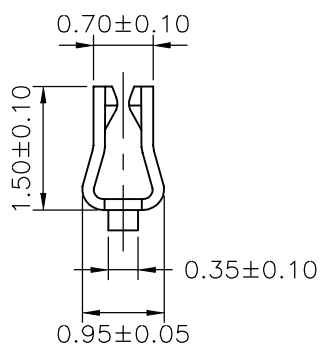


SEC:A-A



SEC:B-B



Ordering Information & Specifications

Part No	Wire Range	Insulation O.D.	Material	Finish	Q
DF13-T-26	AWG#26-#30	1.00mm(max)	Phosphor Bronze	Tin-plated	10,000pcs

RoHS Compliant

TOLERANCES ARE

MORETHANALL
PCB CONNECTORS
Cable ASSEMBLIES

DRAWING BY CY

CHECKED BY GENIUS

UNIT / mm

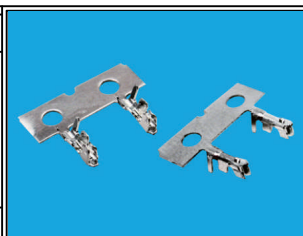
SCALE 1:1

DATE

SIZE A4

PJECTION

X, ±
.X ±
.XX ±
.XXX ±
ANG ±



ORDER INFORMATION



煜倫股份有限公司

www.morethanall.com

DESCRIPTION: 1.25mm PITCH CRIMP TERMINAL