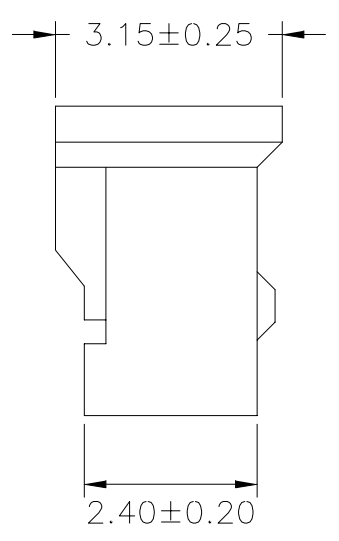
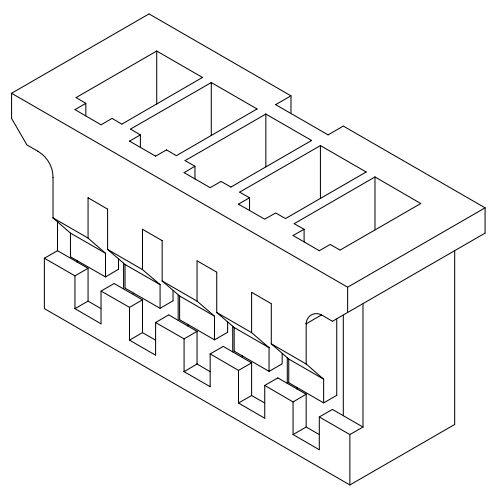
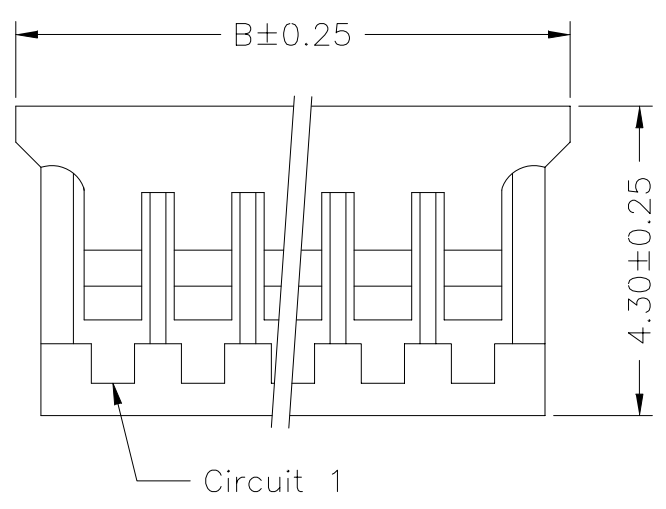
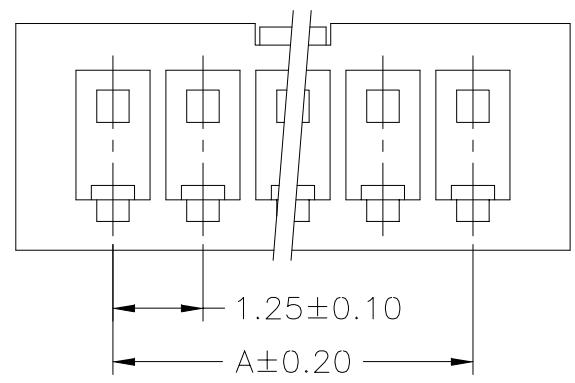


1 2 3 4 5 6 7 8 9 0

J  
I  
H  
G  
F  
E  
D  
C  
B  
A



**SPECIFICATIONS**

Current Rating: 1A AC,DC  
 Voltage Rating: 100V AC,DC  
 Temperature Range: -25°C ~ +85°C  
 Contact Resistance: 20mΩ Max.  
 Insulation Resistance: 500MΩ Min.  
 Withstanding Voltage: 500V AC/minute  
 Material: Nylon 66,UL94V-0

**Ordering Information & Dimensions**

PART NO.	Dimensions	
	A	B
<b>ILZ-H-02</b>	1.25	3.95
<b>ILZ-H-03</b>	2.50	5.20
<b>ILZ-H-04</b>	3.75	6.45
<b>ILZ-H-05</b>	5.00	7.70
<b>ILZ-H-06</b>	6.25	8.95
<b>ILZ-H-07</b>	7.50	10.20
<b>ILZ-H-08</b>	8.75	11.45
<b>ILZ-H-09</b>	10.00	12.70
<b>ILZ-H-10</b>	11.25	13.95
<b>ILZ-H-11</b>	12.50	15.20
<b>ILZ-H-12</b>	13.75	16.45
<b>ILZ-H-13</b>	15.00	17.70
<b>ILZ-H-14</b>	16.25	18.95
<b>ILZ-H-15</b>	17.50	20.20



PART NO. **ILZ-H-xx**

DWG NO. **ILZ-H-xx**

FILE NO.

UNIT / mm      SCALE 1:1

CHECKED BY CY

DRAWING BY

PROJECTION

TOLERANCES ARE  
 .X ± 0.2  
 .XX ±  
 .XXX ±  
 AWG

DESCRIP TION:  
 AREA

**1.25mm PITCH HOUSING**  
 REVISIONS    HK    DATE

煜倫股份有限公司