

Material:

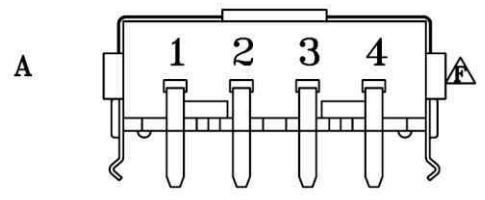
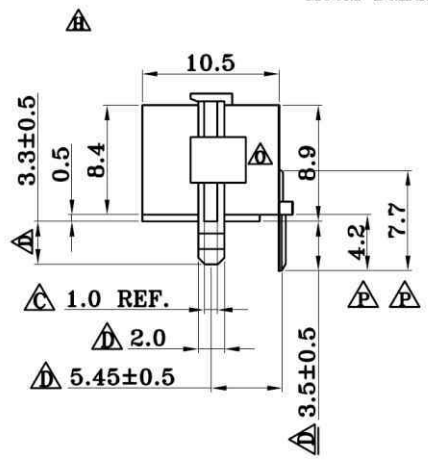
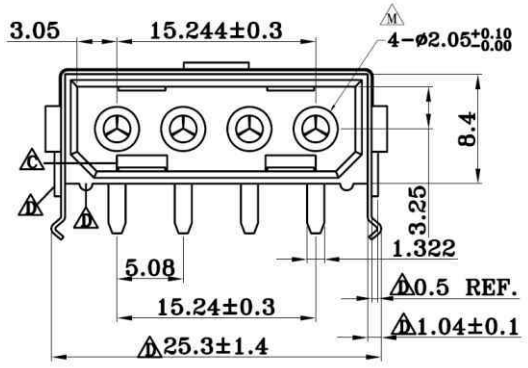
Housing: See Order Information.
 Housing Color: See Order Information.
 Terminal: Copper Alloy
 Metal Band: Copper Alloy

Finish:

Terminal: See Order Information.
 Metal Band: See Order Information.

Specification:

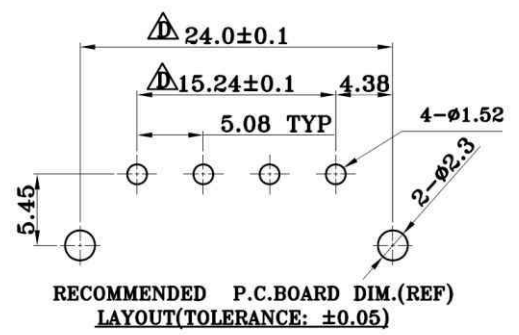
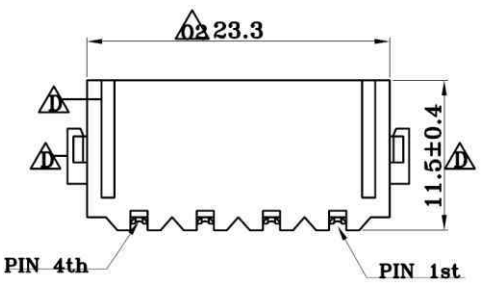
Contact Resistance: 10mΩ Max.
 Current Rating: 5A AC/DC
 Insulation Resistance: 1000MΩ Min.
 Dielectric Withstanding Voltage: 1500V AC/Minute
 Operation Temperature: -25° ~ +85°
 Voltage Rating: 250V AC/Minute
 Applicable Wire Range: AWE#18-#24
 Applicable P.C.B Thickness: 0.8mm-1.6mm
 Applicable P.C.B Hole Dia: $\phi 1.8\text{mm} \pm 0.05$



A VIEW

DP-PRMBK-04-LF
 BLACK LEADFREE

RoHS Compliant



- NOTES:**
- High temp. Process Statement:
230 degree C for 30 to 60 seconds,
and 260 degree C for 10 seconds.
 - This component and its homogeneous subcomponents are RoHS compliant.
 - Dry plastic bag under temperature 150 degree for 6 hours before.
 - Keep with water-resist bag and silica gel after assembling .
 - Must use 100% new material.



PART NO. DP-PRMBK-04	DWG NO. DP-PRMBK-04	CHECKED BY CY		TOLERANCES ARE .X ±0.2 .XX ± .XXX ± AWG	DESCRIP TION:	AREA	REVISIONS	HK	DATE
		DRAWING BY							
FILE NO.		PROJECTION							
UNIT / mm	SCALE 1:1								

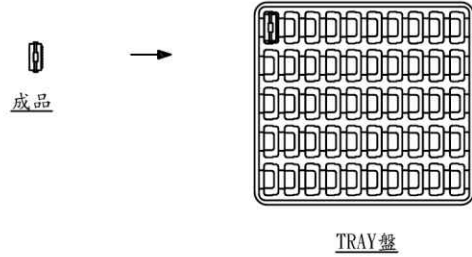
煜倫股份有限公司

PACKING DRAWING

1-1 如圖所示將1X4P POWER BASE CONNECTOR, R/A TYPE放入TRAY盤內, 依圖示方向放入.

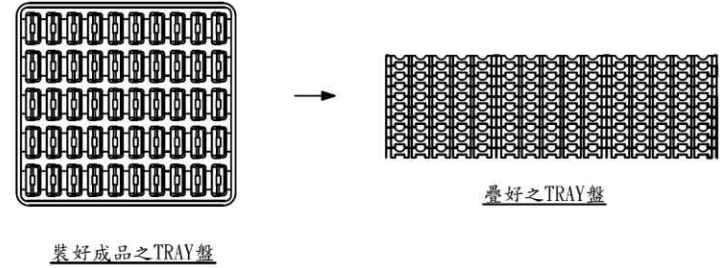
備注: 1. 一個TRAY盤放置成品50PCS.

2. TRAY盤的尺寸為: 上蓋:175*161.5*14.2mm
下蓋:175*161.5*15.2mm.



2-1 如圖所示: 將裝好成品之TRAY盤放置3疊, 每疊10層.

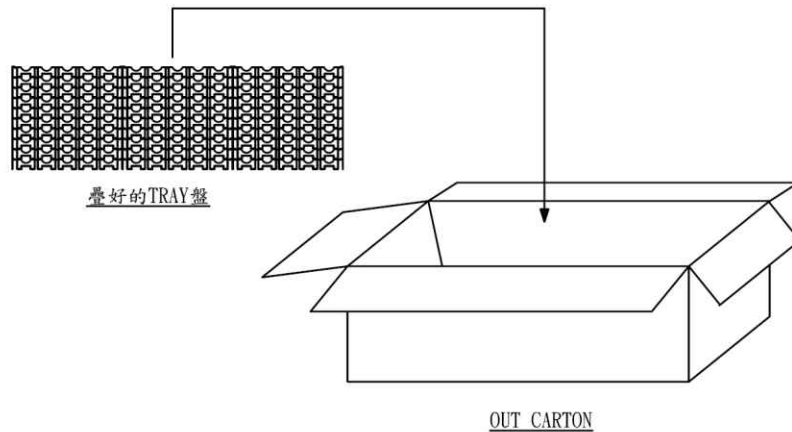
備注: 每TRAY盤需放置一包1.0g干燥劑.



3-1 將層疊放置好的TARY盤, 裝入紙箱.

備注: 1. 包裝箱的尺寸為: 512*200*165mm.

2. 一個包裝箱裝成品1500PCS.



4-1 紙箱內側四角需放角紙板.

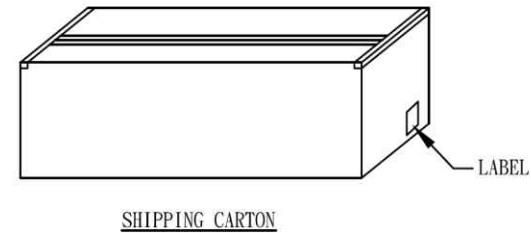
4-2 紙箱材質為K=K.

4-3 開口處以透明膠帶貼合.

4-4 若有未裝滿之零數箱, 必須以緩沖材塞滿.

備注: 1. 透明膠帶要粘牢;

2. 外箱上所貼標籤規格視客戶而定.



MORETHANALL
CONNECTORS
ASSEMBLIES

PART NO. DP-PRMBK-04

DWG NO. DP-PRMBK-04

FILE NO.

CHECKED BY CY

DRAWING BY

TOLERANCES ARE

.X ± 0.2

.XX ±

.XXX ±

AWG

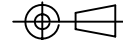
DESCRIP TION:

煜倫股份有限公司

UNIT / mm

SCALE 1:1

PROJECTION



AREA

REVISIONS

HK

DATE