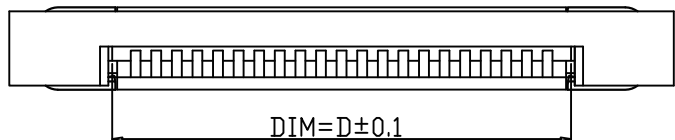
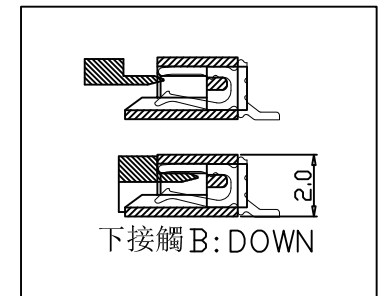
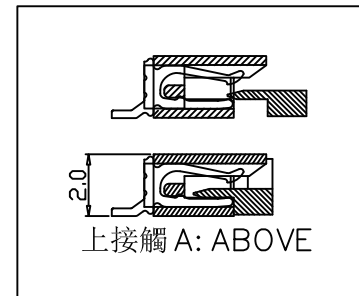
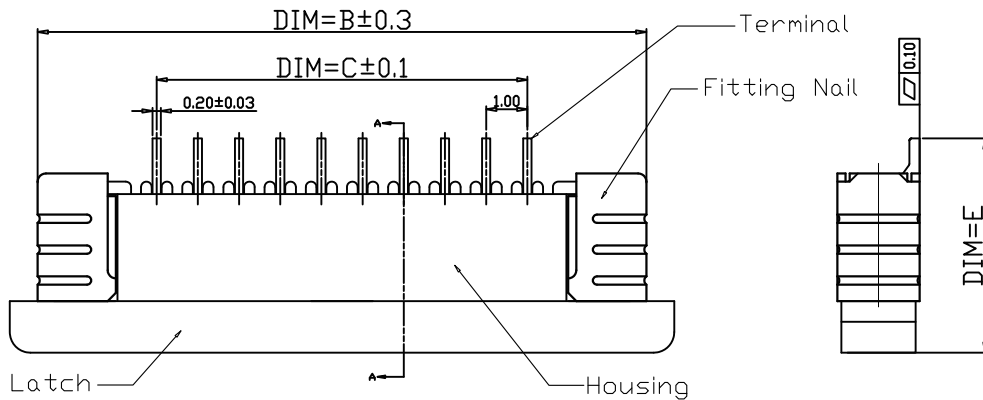
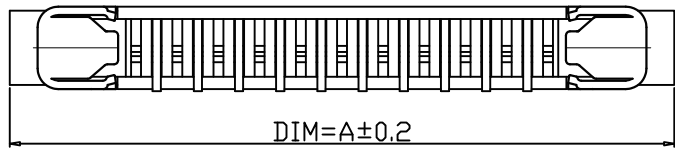


Material:

- 1.1 Housing: thermoplastic high temp. UL94V-0; Color: Natural.
- 1.2 Latch: thermoplastic high temp. UL94V-0; Color: Black.
- 1.3 Terminal: Copper Alloy.
- 1.4 Fitting Nail: Copper Alloy.



PIN NO.	DIM. A	DIM. B	DIM. C	DIM. D
3~N~28	N+6.10	N+5.00	N-1.00	N+1.10
DIM. E	3~N~16 E=5.25 ; 17~N~28 E=5.75			

RoHS Compliant

TOLERANCES ARE

MORETHANALL
PCB CONNECTORS
Cable ASSEMBLIES
煜倫股份有限公司

DRAWING BY CY

CHECKED BY GENIUS

UNIT / mm SCALE 1 : 1

DATE

SIZE A4

X, ±
.X ± 0.20
.XX ± 0.15
.XXX ± 0.10
ANG ±

PJECTION

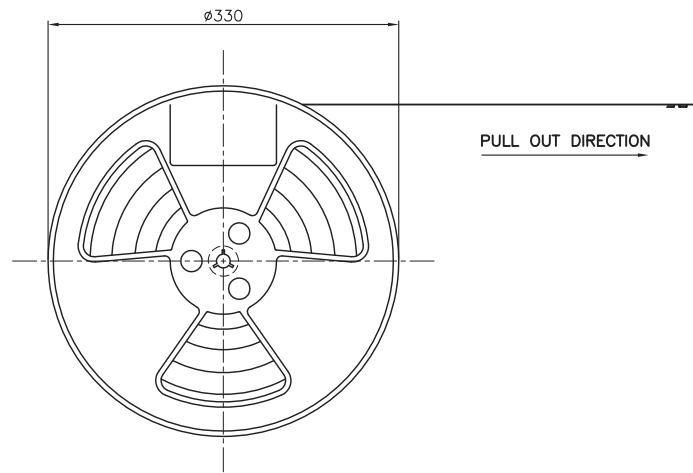
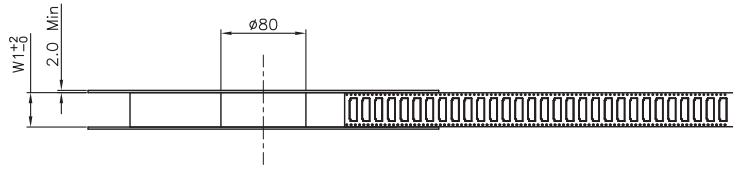


ORDER INFORMATION

FPA-WZx202R-xx-LF
SERIES REEL 03~28WAY LEADFREE
90°SMT HIGH 2.0mm
A:UPPER CONTACT
B:BOTTOM CONTACT
ZIF

DESCRIPTION: 1.0mm H=2.0 ZIF FPC SMT R/A CONNECTOR

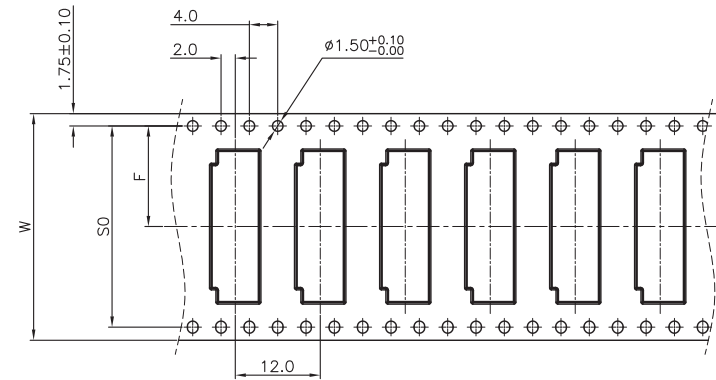
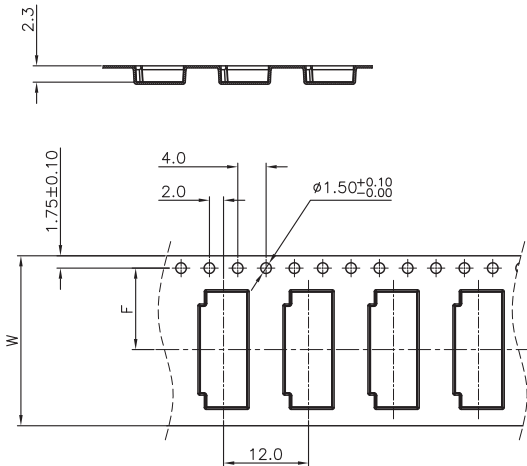
www.morethanall.com



PIN No.	04~10	11~16	17~27	28~30
Reel Width	24.4	32.4	44.4	56.4
DIM W	24	32	44	56
DIM F	11.5	14.2	20.2	26.2
DIM SO	NA	28.4	40.4	52.4

NOTES:

1. ALL DIMENSIONS MEET EIA-481-C REQUIREMENTS.
2. MATERIAL: BLACK ANTI-STATIC POLYSTYRENE.
3. COMPONENT LOAD PER 13" REEL : 2000PCS.
4. PEELING OFF FORCE OF TOP TAPE 0.1N~1.0N.



RoHS Compliant

TOLERANCES ARE

MORETHANALL
PCB CONNECTORS
Cable ASSEMBLIES

DRAWING BY CY

CHECKED BY GENIUS

UNIT / mm

SCALE 1 : 1

DATE

SIZE A4

X, ±
.X ± 0.20
.XX ± 0.15
.XXX ± 0.10
ANG ±

PJECTION



ORDER INFORMATION

FPA-WZx202R-xx-LF
SERIES | REEL | 03~28WAY | LEADFREE
90°SMT | HIGH 2.0mm
A:UPPER CONTACT
B:BOTTOM CONTACT
ZIF

DESCRIPTION:1.0mm ZIF FPC CONNECTOR SMT R/A TYPE H=2.0 PACKING

煜倫股份有限公司

www.morethanall.com