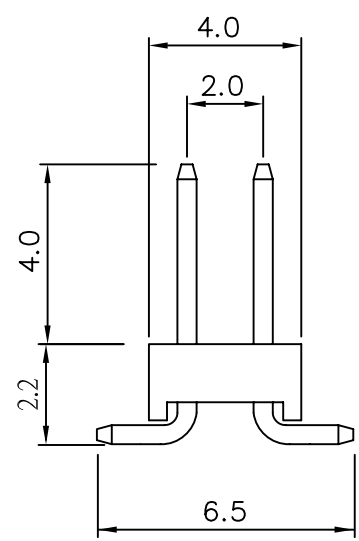
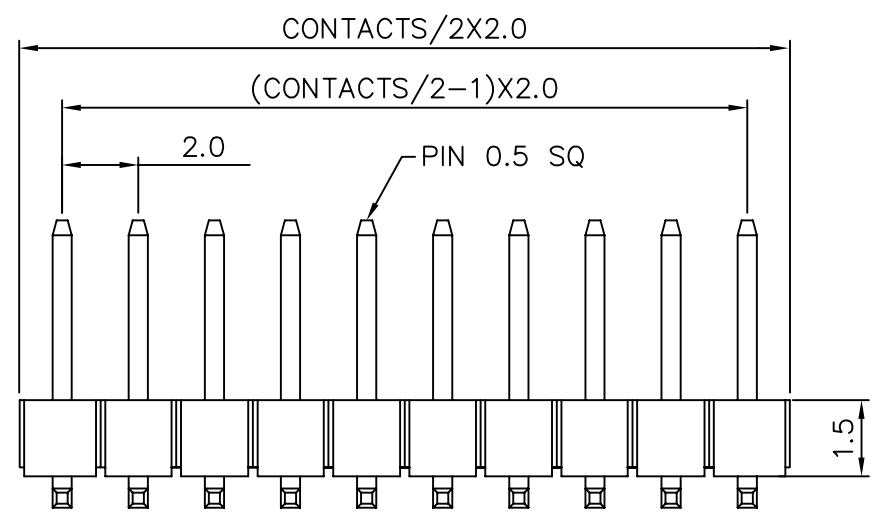


Specifications

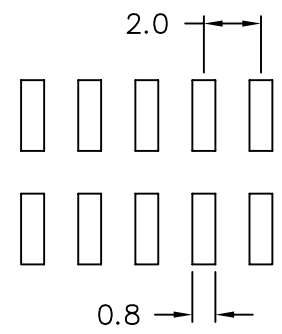
Current Rating: 3Amp
 Insulation Resistance: 1000MΩ Min.
 Dielectric Withstanding: 600VAC
 Contact Resistance: 20mΩ Max.
 Operating Temperature: -40°C to +105°C

Materials

Contact Material: Copper alloy
 Insulator Material: Polyester, UL94V-0
 NYLON-6T



Recommended P.C.Board Layout



B			PART NO. M-V22X-2Xxx		APPROVED BY CY	TOLERANCES ARE				DESCRIPTION: 2.0 PIN HEADER DUAL ROW SMT TYPE	
			DWG NO. M-V22X-2Xxx								
A	焜倫股份有限公司		FILE NO.		DRAWING BY	.X ± 0.38 .XX ± 0.25 .XXX ± 0.13 AWG	AREA	REVISIONS	HK	DATE	
			UNIT / mm	SCALE 1:1	PROJECTION						