

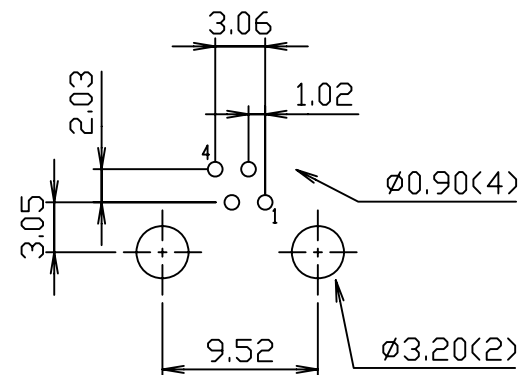
DETAIL X

MATERIALS:  
 · HOUSING-DSM STANYL TE250F6 (NYLON-46)  
 HEAT DEFLECTION TEMP.290°  
 BLACK COLOR, UL94V-0  
 · CONTACTS-0.35mm THICK PHOS-BRONZE PLATED  
 WITH HARD GOLD AND GOLD FLASH IN  
 SOLDER AREA.

CAVITY CONFIRMS TO FCC RULES AND REGULATIONS  
 PART 68,SUBPART F.

MJ12U-KX06-0604-LF  
 LEADFREE

RoHS Compliant



PCB LAYOUT  
 Ref.

**MORETHANALL**  
 CONNECTORS  
 ASSEMBLIES

PART NO. MJ12U-KX06-0604

DWG NO. MJ12U-KX06-0604

FILE NO.

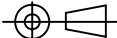
UNIT / mm

SCALE 1:1

CHECKED BY CY

DRAWING BY

PROJECTION



TOLERANCES ARE

.X±0.2  
 .XX±  
 .XXX±  
 AWG

DESCRIPTION:

1PORTS, RJ11, FLAT PIN  
 L/P SIDE ENTRY PCB GANGED JACK

AREA

REVISIONS

HK

DATE

焜倫股份有限公司