

**MATERIALS:**  
 INSULATOR: P. B. T. 30%GLASS FIBER, UL94V-0  
 CONTACTS: BRASS OR PHOSPHOR BRONZE,  
 GOLD FLASH OVER NICKEL

**ELECTRICAL:**  
 CURRENT RATING: 1AMP.  
 INSULATION RESISTANCE: 1000M Ω MIN.  
 DIELECTRIC WITHSTANDING: 500VAC  
 OPERATING TEMPERATURE: -55 °C ~ +105 °C

F-C3L-xx-LF  
 LEADFREE  
 RoHS Compliant

DIMENSION					
CONTACT	A	B	CONTACT	A	B
F-C3L-06	12.18	05.08	F-C3L-30	42.66	35.56
F-C3L-08	14.72	07.62	F-C3L-34	47.74	40.64
F-C3L-10	17.26	10.16	F-C3L-36	50.43	43.18
F-C3L-12	19.80	12.70	F-C3L-40	55.36	48.26
F-C3L-14	22.34	15.24	F-C3L-44	60.64	53.34
F-C3L-16	24.88	17.78	F-C3L-50	68.06	60.96
F-C3L-18	27.42	20.32	F-C3L-56	75.71	68.58
F-C3L-20	29.96	22.86	F-C3L-60		
F-C3L-24	35.04	27.94	F-C3L-62	83.35	76.20
F-C3L-26	37.58	30.48	F-C3L-64		

**MORETHANALL**  
 CONNECTORS  
 ASSEMBLIES

PART NO. F-C3L-xx

DWG NO. F-C3L-xx

FILE NO.

APPROVED BY CY

DRAWING BY

TOLERANCES ARE  
 .X ± 0.2  
 .XX ± 0.2  
 .XXX  
 AWG

DESCRIPTION:				
AREA	REVISIONS	HK	DATE	

煜倫股份有限公司

UNIT / mm

SCALE 1:1

PROJECTION

1 2 3 4 5 6 7 8 9 0

J

I

H

G

F

E

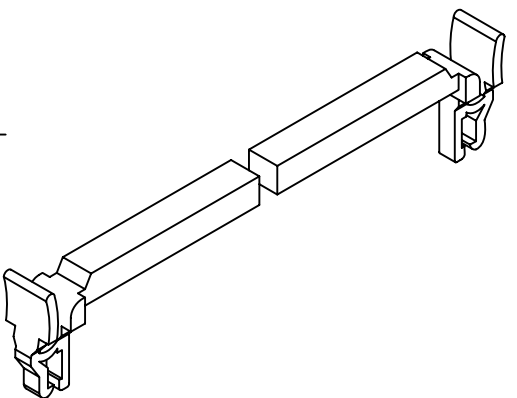
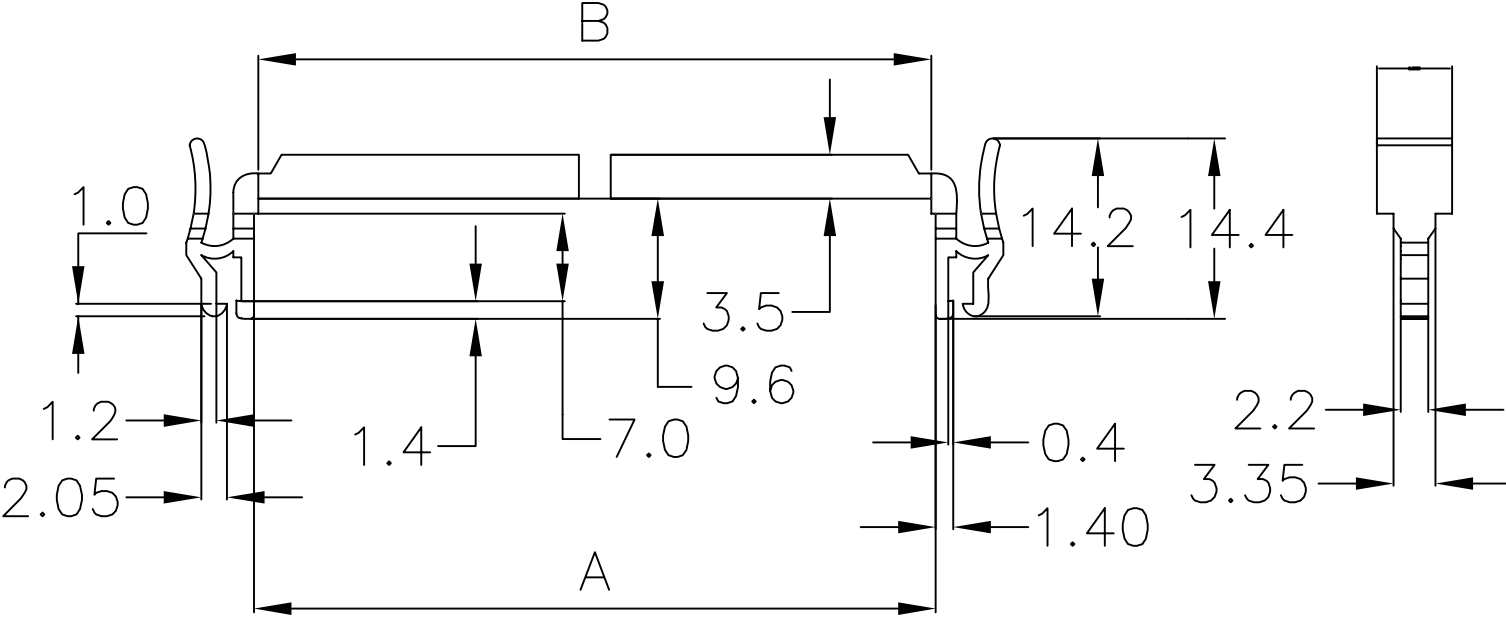
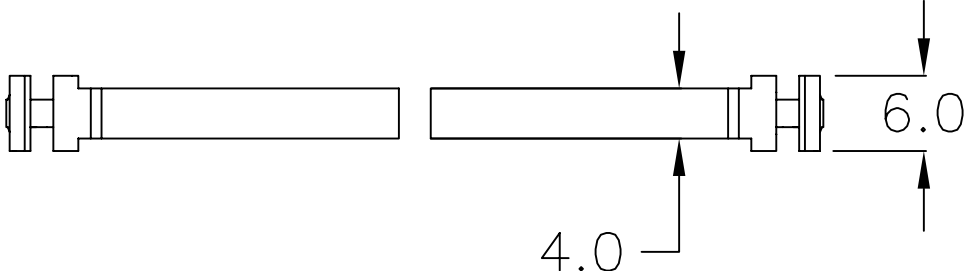
D

C

B

A

CONTACTS	A	B	CONTACTS	A	B
10P	13.70	13.00	26P	34.00	33.20
16P	21.30	20.60	34P	44.48	43.58
20P	26.38	25.60	40P	52.10	51.20
24P	31.46	30.68			



**MORETHANALL**  
CONNECTORS  
ASSEMBLIES

PART NO. F-C3L-xx

DWG NO. F-C3L-xx

FILE NO.

CHECKED BY CY

DRAWING BY

UNIT / mm

SCALE 1:1

PROJECTION

TOLERANCES ARE  
.X ± 0.1  
.XX ± 0.01  
.XXX ±  
AWG

DESCRIPTION:				
AREA	REVISIONS	HK	DATE	

煜倫股份有限公司