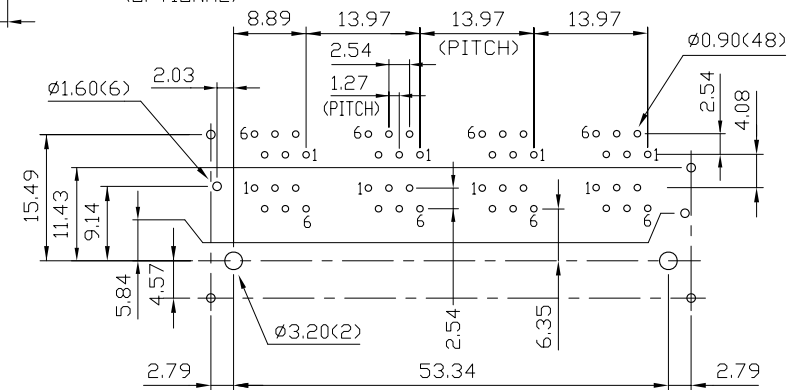
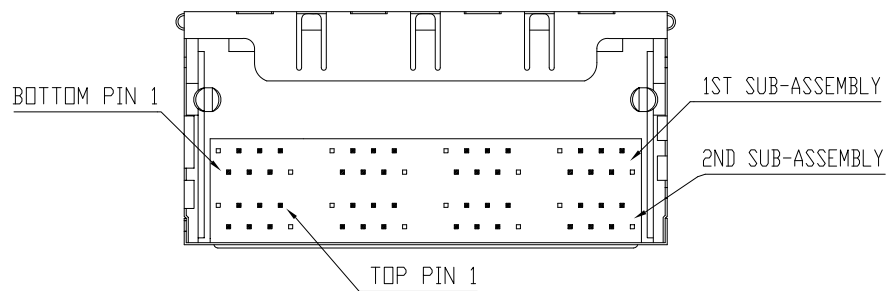
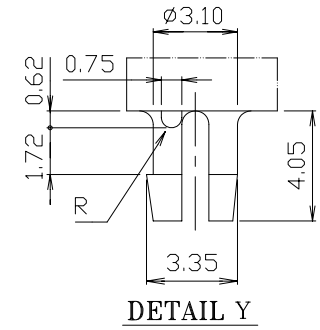
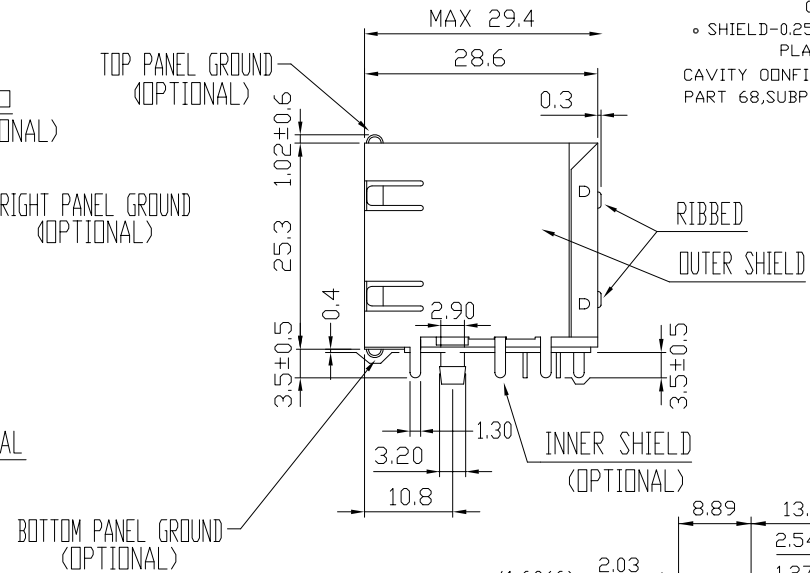


- MATERIAL:
- HOUSING-PBT POLYESTER UL-94V-0 MIXED GLASS FIBER. STANDARD COLOR-BLACK
 - CONTACTS-0.35mm THICK PHOS-BRONZE PLATED WITH HARD GOLD AND GOLD FLASH IN SOLDER AREA.
 - SHIELD-0.25mm THICK COPPER ALLOY, PLATED WITH NICKEL.
- CAVITY CONFORMS TO FCC RULES AND REGULATIONS PART 68, SUBPART F.



PCB LAYOUT Ref.

RoHS Compliant

TOLERANCES ARE

MORETHANALL
PCB CONNECTORS
Cable ASSEMBLIES

DRAWING BY CY

X.±

CHECKED BY GENIUS

.X±

UNIT / mm

SCALE 1 : 1

.XX±

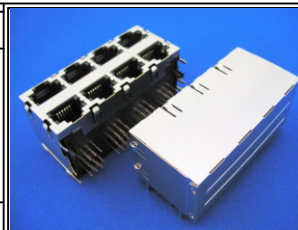
DATE

.XXX±

ANG±

SIZE A4

PJECTION



ORDER INFORMATION

MJF25B4-KF06A4-0606-LF

SERIES

LEADFREE

6P6C

FRONT TAB 4.57mm

BLACK

06u" GOLD

FULL SPRING

煜倫股份有限公司

www.morethanall.com

DESCRIPTION: 2X4 6POSITIONS RIGHT ANGLE SHIELDED PCB JACK