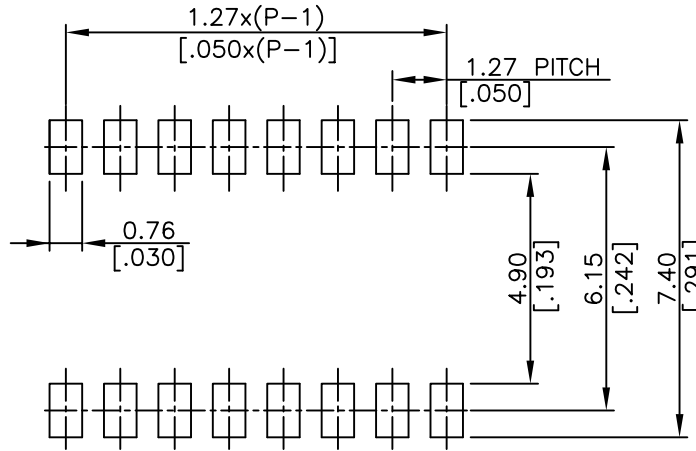
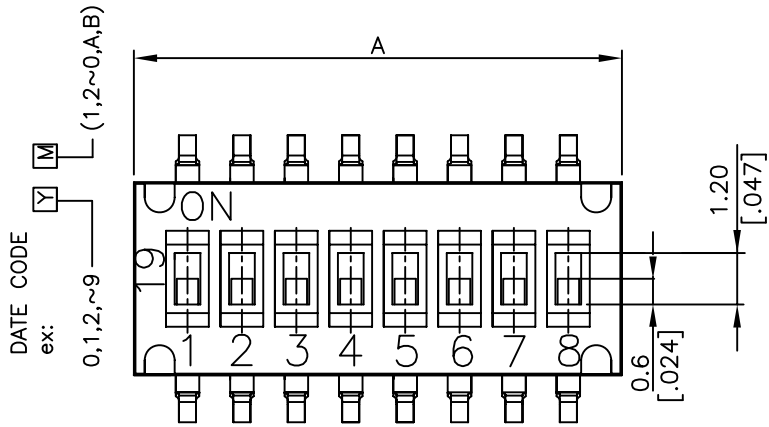


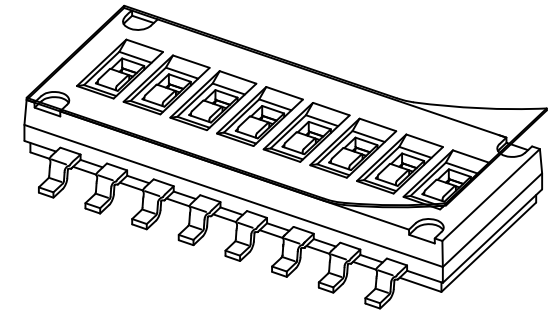
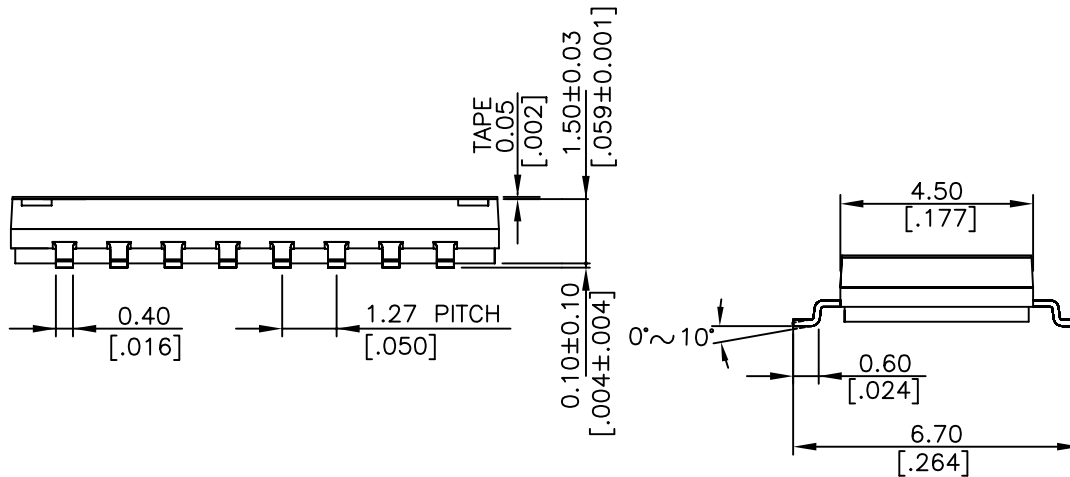
NOTE :

1. ALL DIMENSIONS ARE IN MILLIMETERS , BRACKETED DIMENSIONS ARE IN INCHS INCHS.
2. GENERAL TOLERANCE: ± 0.2 mm
3. METERIAL: SEE PAGE 3 OF 3.



P.C.B LAYOUT

HSW-SV15W6C-02	2	3.77	[.148]
HSW-SV15W6C-04	4	6.31	[.248]
HSW-SV15W6C-06	6	8.85	[.348]
HSW-SV15W6C-08	8	11.39	[.448]
HSW-SV15W6C-10	10	13.93	[.548]
PROD.NO.	NO. OF POS	DIM A	



HSW-SV15W6C-xx-LF
LEADFREE
RoHS Compliant

M MORETHANALL
CONNECTORS
ASSEMBLIES

PART NO. HSW-SV15W6C-xx

DWG NO. HSW-SV15W6C-xx

CHECKED BY CY

TOLERANCES ARE

DESCRIP TION:

FILE NO.

DRAWING BY

.X ± 0.2
.XX ±
.XXX ±
AWG

AREA

REVISIONS

HK

DATE

煜倫股份有限公司

UNIT / mm

SCALE 1:1

PROJECTION

