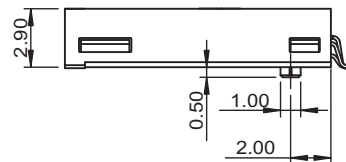
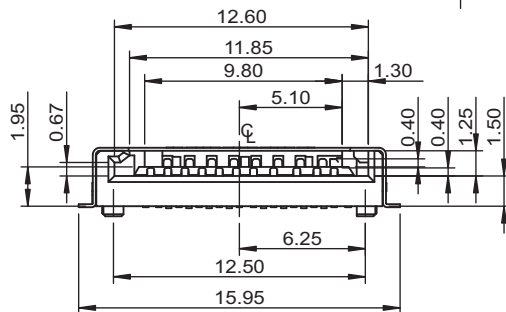


NOTES:
 1. MATERIAL:
 INSULATOR: HIGH TEMPERATURE THERMOPLASTIC,
 UL94V-0, BLACK
 CONTACT: PHOSPHOR BRONZE



RoHS Compliant

TOLERANCES ARE

MORETHANALL
 PCB CONNECTORS
 Cable ASSEMBLIES

DRAWING BY CY

CHECKED BY GENIUS

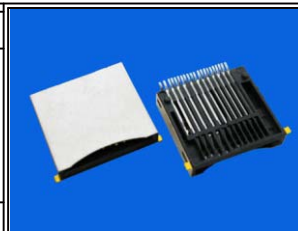
UNIT / mm SCALE 1 : 1

DATE

SIZE A4

X, ±
 X, ±
 .XX ±
 .XXX ±
 ANG ±

PJECTION



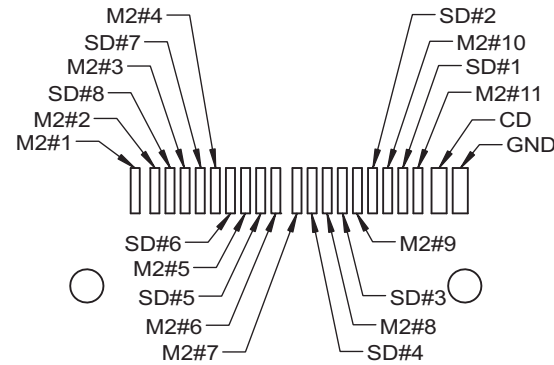
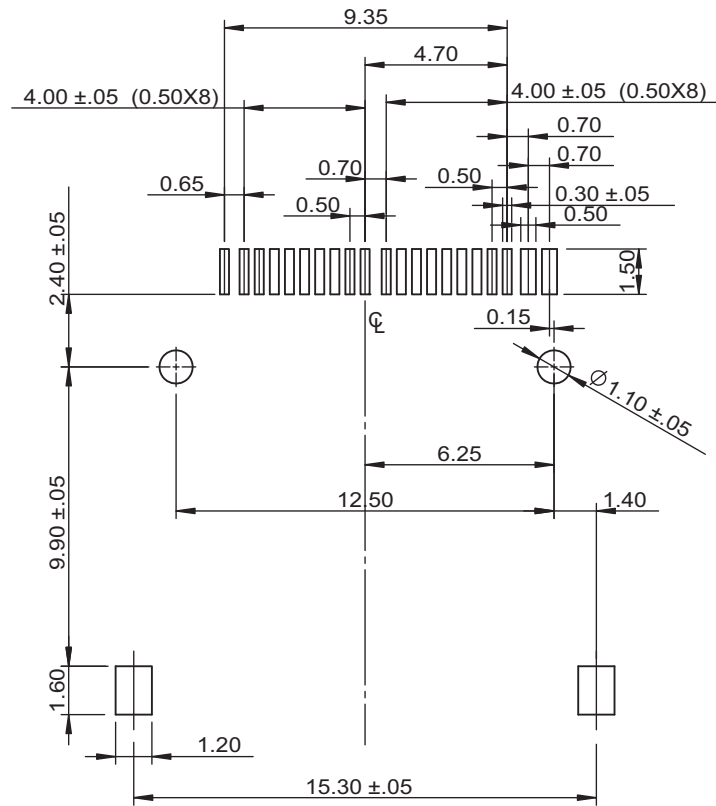
ORDER INFORMATION

MHC-W12-301-LF
 SERIES | LEADFREE
 3 IN 1
 POST TO POST 12.5mm
 90°SMT

煜倫股份有限公司

www.morethanall.com

DESCRIPTION: 3 in 1(M2 & microSD&T-Flash)



Pin Assignment:			
M2 #1	BS	SD #1	DTA2
M2 #2	DAT1	SD #2	CD/DAT3
M2 #3	DAT0	SD #3	CMD
M2 #4	DAT2	SD #4	VDD
M2 #5	INS	SD #5	CLK
M2 #6	DAT3	SD #6	VSS
M2 #7	SCLK	SD #7	DAT0
M2 #8	VCC	SD #8	DAT1
M2 #9	VSS		
M2#10	NC/Roscrvd		
M2#11	NC/Roscrvd		

PCB LAYOUT FOR

CD ○	WITHOUT CARD GROUND ○	microSD&T-Flash CARD INSERTED CD ○	GROUND ○
---------	-----------------------------	--	-------------

RoHS Compliant

TOLERANCES ARE

MORETHANALL
PCB CONNECTORS
Cable ASSEMBLIES

DRAWING BY CY

X. ±

CHECKED BY GENIUS

.X ±

UNIT / mm

SCALE 1 : 1

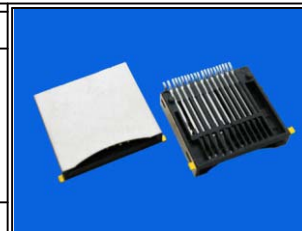
.XXX ±

DATE

ANG ±

SIZE A4

PJECTION



ORDER INFORMATION

MHC-W12-301-LF
SERIES | LEADFREE
3 IN 1
POST TO POST 12.5mm
90°SMT

煜倫股份有限公司

www.morethanall.com

DESCRIPTION: 3 in 1(M2 & microSD&T-Flash)