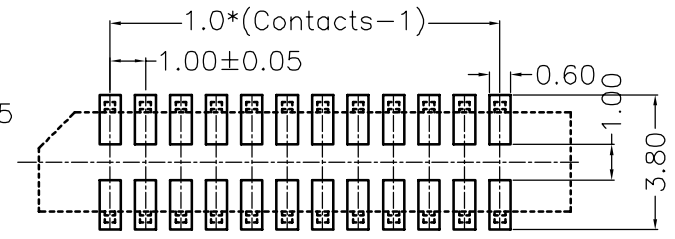
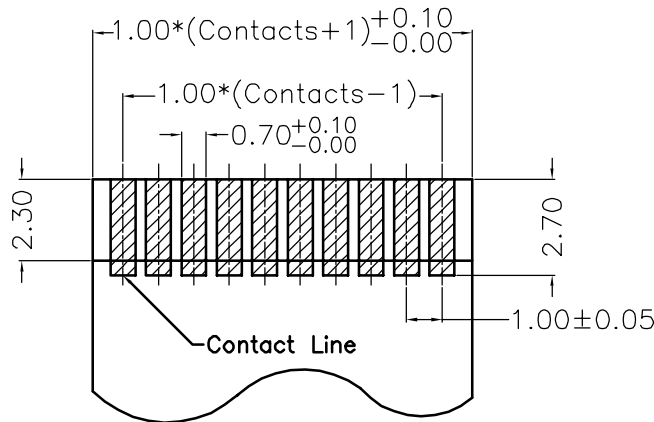
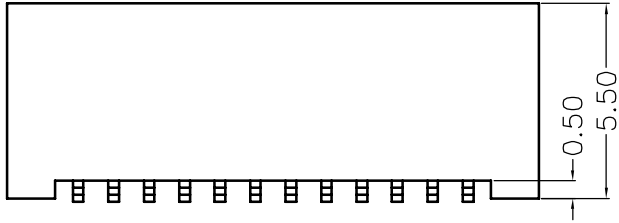
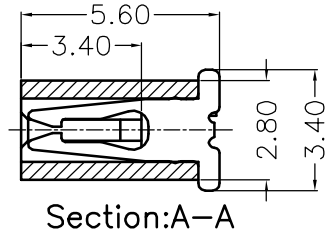
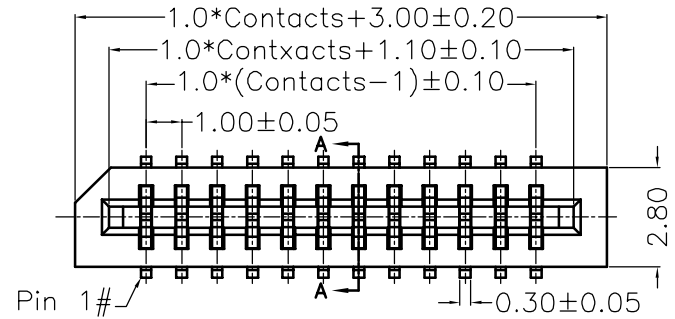


Specifications:
 Current Rating: 0.5 Amps
 Voltage Rating: 50V AC/DC
 Contact Resistance: 20m Ohm Max
 Insulator Resistance: 100M Ohm Min
 Dielectric Withstanding Voltage: 500V R.m.s (for one minute)
 Operating Temperature Range: -20°C ~ +85°C
 Material:
 Contact: Copper Alloy
 Plastic: Thermoplastic UL94V-0
 Plating: Tin plating



焜倫股份有限公司

PART NO. FPA-VL22-xx		CHECKED BY CY	TOLERANCES ARE .X±0.2 .XX± .XXX± AWG	DESCRIP TION: 1.0mm SMD FPC Connector Vertical Entry Double Contact	AREA	REVISIONS	HK	DATE
DWG NO. FPA-VL22-xx								
FILE NO.		PROJECTION						
UNIT / mm	SCALE 1:1							