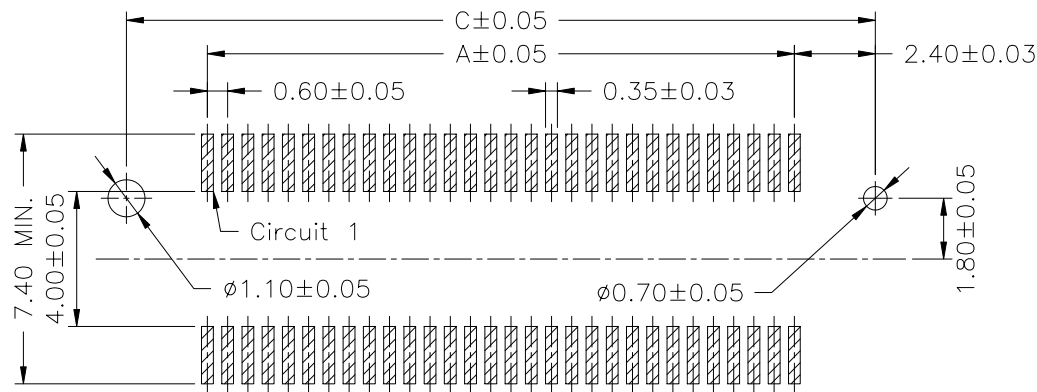


SPECIFICATIONS
 Current Rating: 0.4A AC,DC
 Voltage Rating: 100V AC,DC
 Temperature Range: -25°C ~ +85°C
 Contact Resistance: 45mΩ Max.
 Insulation Resistance: 1000MΩ Min.
 Withstanding Voltage: 300V AC/minute
 Pin Material: Phosphor Bronze/
 Tin-plated on solder area,
 Gold-flash on contact area
 Housing: Nylon 6T,UL94V-0

Ordering Information & Dimensions

PART NO.	Dimensions		
	A	B	C
FX8-S21PR-060	17.40	24.60	22.20
FX8-S21PR-080	23.40	30.60	28.20
FX8-S21PR-100	29.40	36.60	34.20



SUGGESTED PCB LAYOUT
(COMPONENT SIDE)

FX8-S21PR-xx-LF
 LEADFREE
 RoHS Compliant



PART NO. FX8-S21PR-xxx

DWG NO. FX8-S21PR-xxx

FILE NO.

UNIT / mm

SCALE 1:1

CHECKED BY CY

DRAWING BY

PROJECTION

TOLERANCES ARE

.X ± 0.2
 .XX ± 0.1
 .XXX ±
 AWG

DESCRIPTION:

AREA

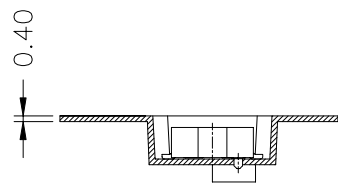
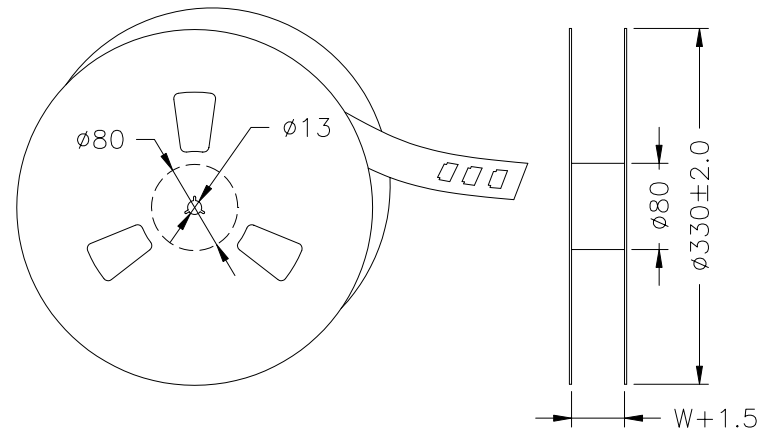
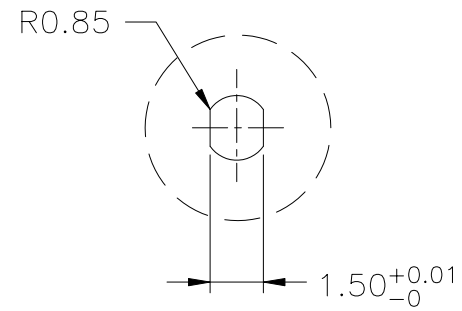
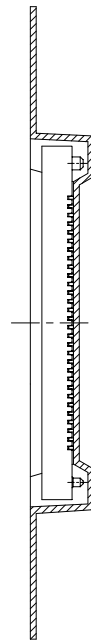
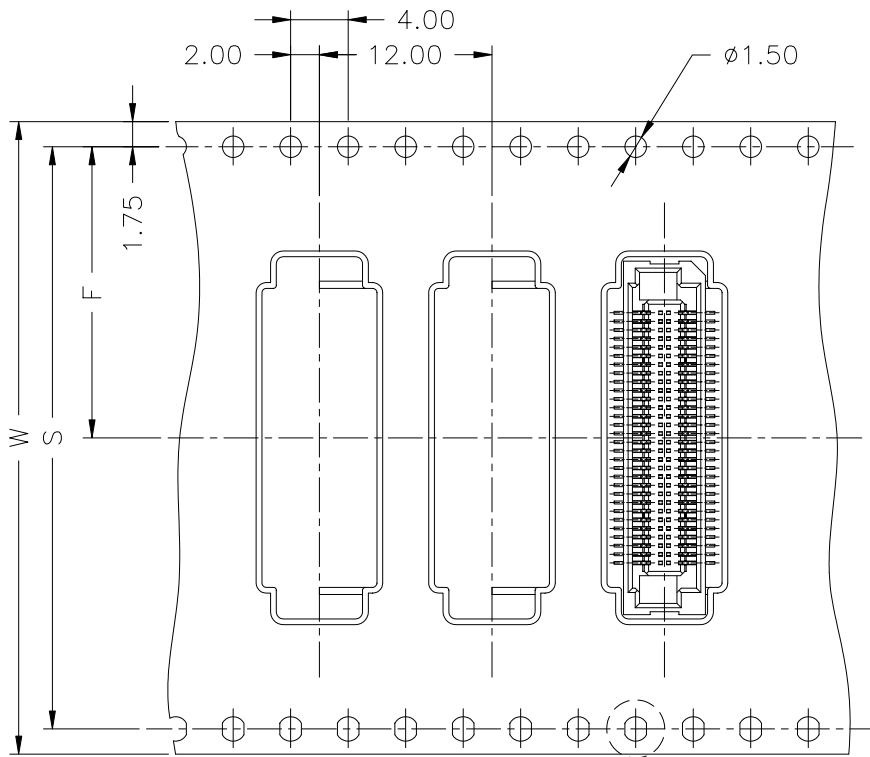
0.60mm PITCH
BOARD TO BOARD CONNECTOR,
SMT TYPE, HEIGHT: 3.0mm

REVISIONS

HK

DATE

煜倫股份有限公司



Number of Contacts	W ± 0.3	F ± 0.1	S ± 0.1	Q'ty/Reel
60P	44	20.20	40.40	1,000
80P	44	20.20	40.40	1,000
100P	44	20.20	40.40	1,000

MORETHANALL
CONNECTORS
ASSEMBLIES

PART NO. FX8-S21PR-xxx

DWG NO. FX8-S21PR-xxx

CHECKED BY CY

TOLERANCES ARE

.X ± 0.2
.XX ± 0.1
.XXX \pm
AWG

DESCRIPTION:

0.60mm PITCH
BOARD TO BOARD CONNECTOR
SMT TYPE, HEIGHT: 3.0mm TAPING SPEC.

煜倫股份有限公司

FILE NO.

DRAWING BY

AREA

REVISIONS

HK

DATE

UNIT / mm

SCALE 1:1

PROJECTION

