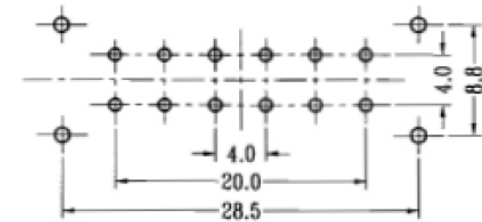
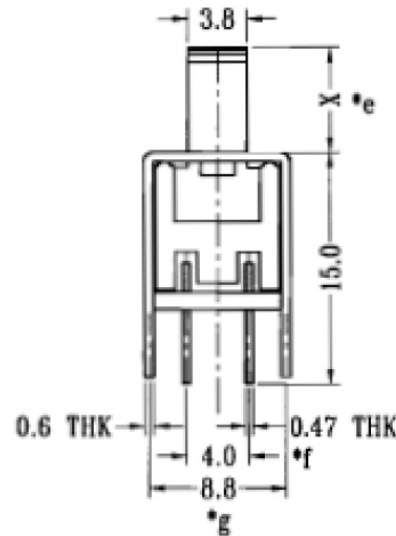
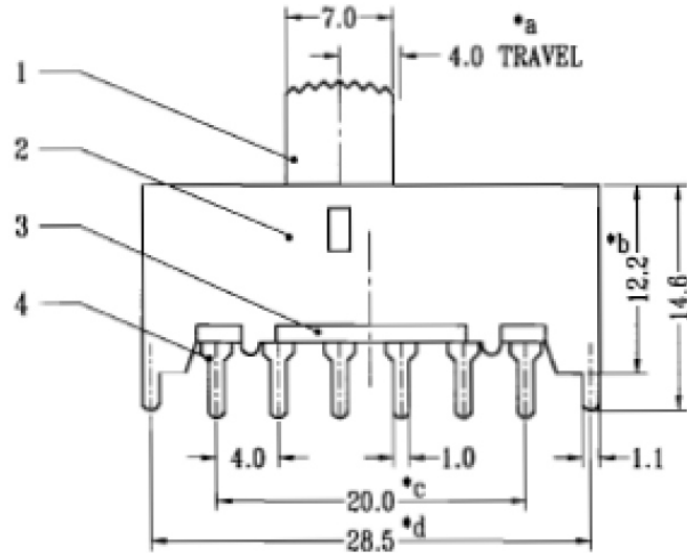


SCHMATIC (SHORTING)



P.C.B LAYOUT

注:\*表示關鍵尺寸(7個)



NO.	PARTS	NATERIALS	QTY.	FINISHING
8				
7	CONTACT CLIP	PBS STRIP	4	Ag PLATED
6	STEEL BALL	STEEL	2	NATURAL
5	SPRING	STEEL WIRE	1	TEMPER
4	TERMINAL	BRASS STRIP	12	Ag PLATED OVER Ni PLATED
3	BASE	PHENOLIC RESIN	1	BLACK
2	FRAME	STEEL STRIP	1	BLACK
1	KNOB	POM	1	BLACK

SLSW40-DM-2X06-LF  
LEADFREE

RoHS Compliant

**MORETHANALL**  
CONNECTORS  
ASSEMBLIES

PART NO. SLSW40-DM-2X06

DWG NO. SLSW40-DM-2X06

FILE NO.

UNIT / mm

SCALE 1:1

CHECKED BY CY

DRAWING BY

PROJECTION



TOLERANCES ARE

.X ± 0.2  
.XX ±  
.XXX ±  
AWG

DESCRIPTION:

AREA

REVISIONS

HK

DATE

焯倫股份有限公司