

MATERIAL

INSULATOR : 30% Glass fiber PBT

CONTACT PIN : Phosphor bronze

SPECIFICATION

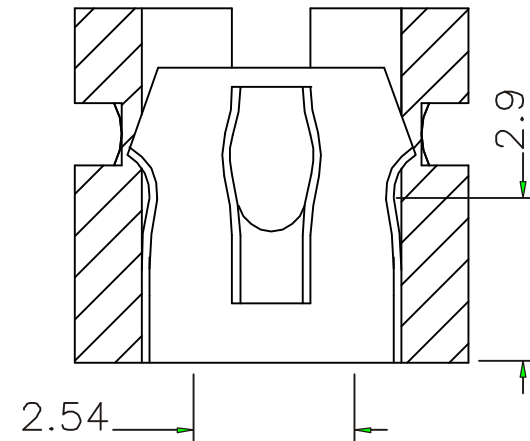
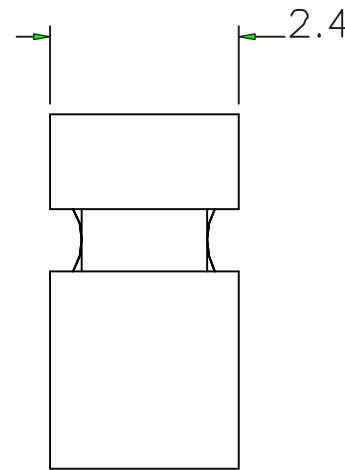
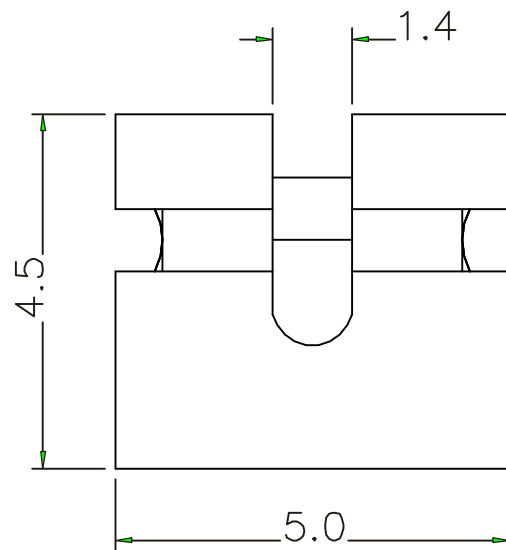
CURRENT RATE : 1 AMP

INSULATION RESISTANCE : 5000MΩ Min.

CONTACT RESISTANCE : 20mΩ Max.

DIELECTRIC VOLTAGE : 500V AC for one minute

OPERATION TEMPERATURE : -55°C to +105°C



MORETHANALL
CONNECTORS
ASSEMBLIES

煜倫有限公司

PART NO. **J-B-04**

DWG NO. **J-B-04**

FILE NO.

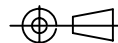
UNIT / mm

SCALE 1:1

CHECKED BY CY

DRAWING BY

PROJECTION



TOLERANCES ARE

.X ± 0.3

.XX ±

.XXX ±

AWG

DESCRIPTION: 2.54mm Mini Jumper Open type

AREA

REVISIONS

HK

DATE