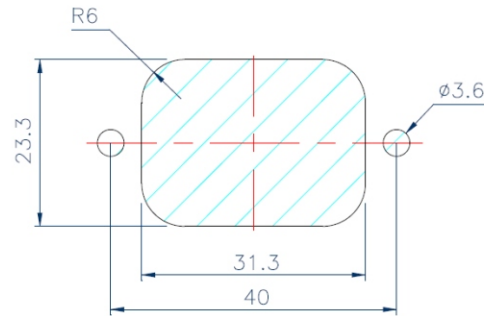
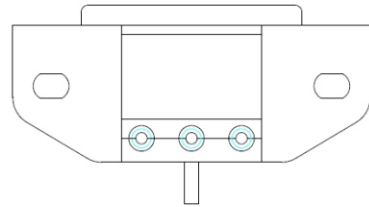
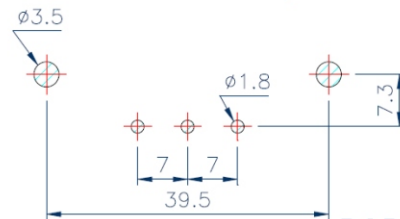


STANDARD : IEC 320 C14
 RATING : 15A250V AC
 APPROVALS : UL/CSA
 RATING : 10A 250V~
 APPROVALS : VDE/DEMKO/NAMKO/ SEV/
 SEMKO/FIMKO/KEMA/ CCEE



Panel Cut-Out

ACF-PRPE-03-LF
LEADFREE



PCB Layout

RoHS Compliant

MORETHANALL
CONNECTORS
ASSEMBLIES

PART NO. **ACF-PRPE-03**

DWG NO. **ACF-PRPE-03**

FILE NO.

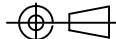
UNIT / mm

SCALE 1:1

CHECKED BY CY

DRAWING BY

PROJECTION



TOLERANCES ARE

.X ± 0.2
.XX ±
.XXX ±
AWG

DESCRIPTION:

AREA

REVISIONS

HK

DATE

焜倫股份有限公司