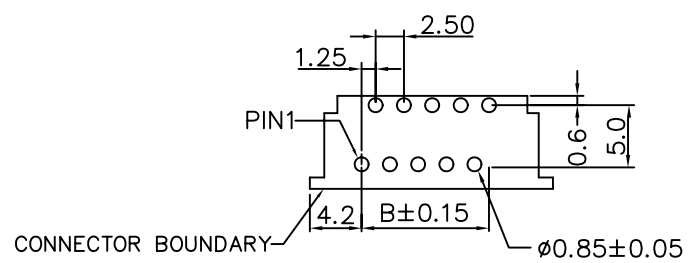
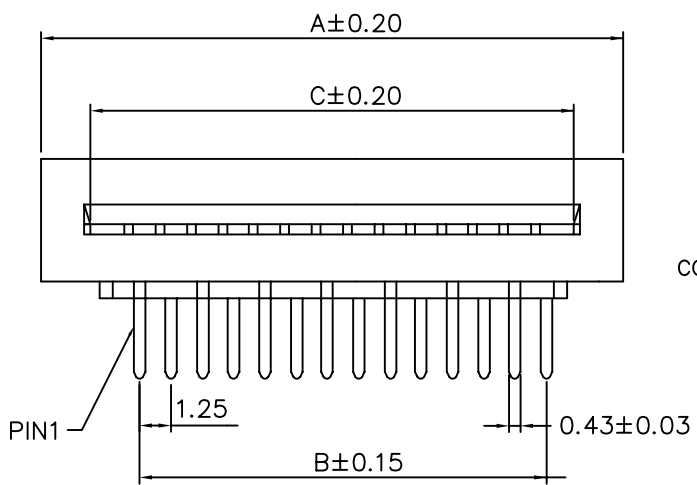
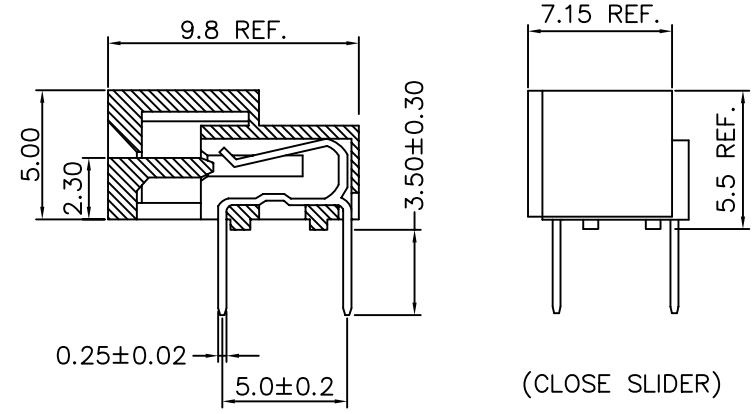
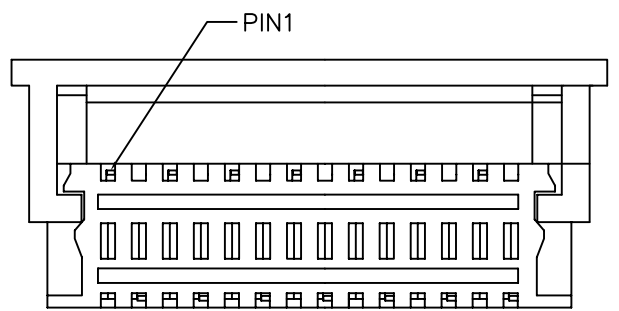


SPECIFICATIONS
 Operating Voltage : 200V AC Max.
 Current Rating : 1AMP Max.
 Dielectric Withstanding Voltage: 500A AC RMS
 Insulator Resistance : 500 Megohms Max.
 Contact Resistance : 20 Milliohms Max.
 Durability: 40 Milliohms Max.
 After 20 Insertions And Withdraw
 Accommodated FFC/FPC Thickness: 0.25mm~0.35mm
 Operate Temperature: -40°C To +85°C
 Housing Material : Glass Reinforced PBT
 UL 94V-0, White
 Contact Material : Phosphor Bronze
 Tin Plated



FPB-RZAL-xx-LF
 LEADFREE POSITION



Pos.	A	B	C
4	11.45	3.75	6.45
5	11.27	5.00	7.70
6	13.95	6.20	8.95
7	15.20	7.50	10.20
8	16.45	8.75	11.45
9	17.70	10.00	12.70
10	18.95	11.25	13.95
11	20.20	12.50	15.20
12	21.45	13.75	16.45
13	22.70	15.00	17.70
14	23.95	16.25	18.95
15	25.20	17.50	20.20
16	26.45	18.70	21.45
17	27.70	20.00	22.70
18	28.95	21.25	23.95
19	30.20	22.50	25.20
20	31.45	23.75	26.45
21	32.70	25.00	27.70
22	33.95	26.25	28.95
23	35.20	27.50	30.20
24	36.45	28.75	31.45
25	37.70	30.00	32.70
26	38.95	31.25	33.95
27	40.20	32.50	35.20
28	41.45	33.75	36.45
29	42.70	35.00	37.70
30	43.95	36.25	38.95

RoHS Compliant



PART NO. FPB-RZAL-xx

DWG NO. FPB-RZAL-xx

CHECKED BY CY

TOLERANCES ARE

FILE NO.

DRAWING BY

X±
.XX±0.25
.XXX
AWG

DESCRIPTION: 1.25mm ZIF FPC CONNECTOR SIDE ENTRY UPPER CONTACT DIP TYPE

煜倫股份有限公司

UNIT / mm

SCALE 1:1

PROJECTION

AREA

REVISIONS

HK

DATE