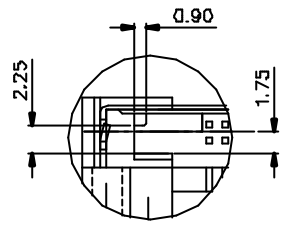
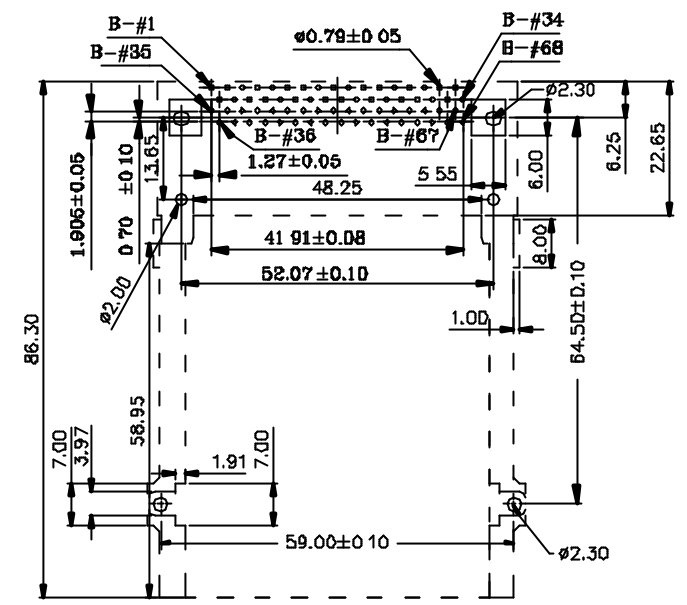
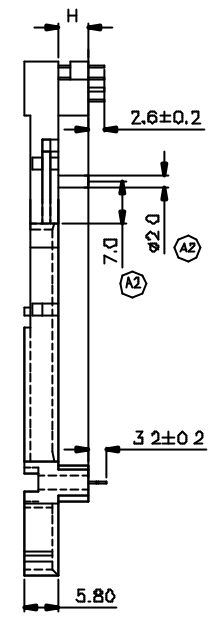
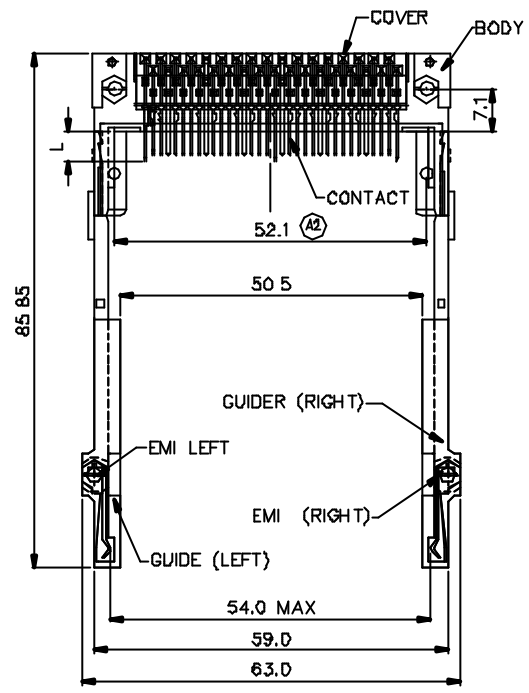
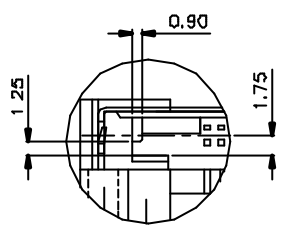


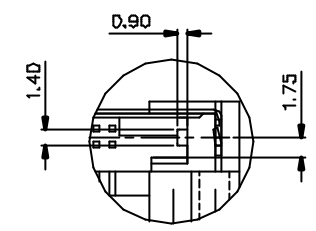
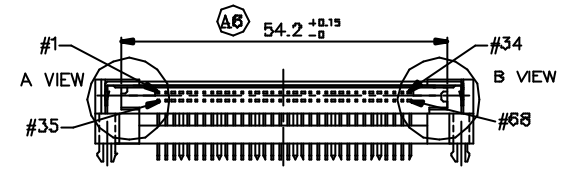
TYPE	CONTACT NO.	L
DETECT	36 ,67	3.5
GENERAL	OTHERS	4.25
POWER	1,17,34,35,51,68	5.0



A VIEW  
S=2/1  
FOR 3.3 V



A VIEW  
S=2/1  
FOR 5.0 V



B VIEW  
S=2/1

H	Dimension
1	0.00mm
2	2.00mm
3	2.80mm
4	4.00mm
5	5.00mm
6	8.00mm
7	2.20mm

PCC-PRLxxVx-68-LF  
LEADFREE  
00:0.00mm  
20:2.00mm  
28:2.80mm  
40:4.00mm  
50:5.00mm  
80:8.00mm  
22:2.20mm  
3:3.3V  
5:5.0V

RoHS Compliant



PART NO. PCC-PRLxxVx-68

DWG NO. PCC-PRLxxVx-68

FILE NO.

UNIT / mm

SCALE 1:1

CHECKED BY CY

DRAWING BY

PROJECTION

TOLERANCES ARE

.X ± 0.2  
.XX ±  
.XXX ±  
AWG

DESCRIPTION:

PCMCIA CONNECTOR  
LONG TYPE WITH GUIDE RAIL

AREA	REVISIONS	HK	DATE

煜倫股份有限公司