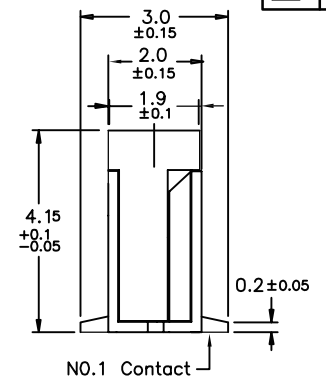
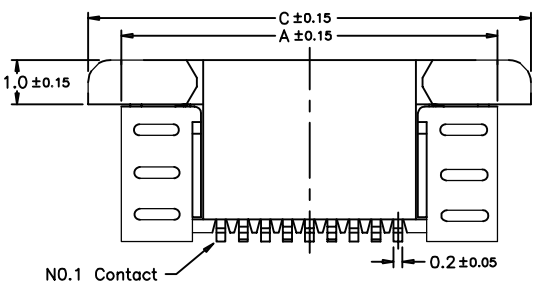
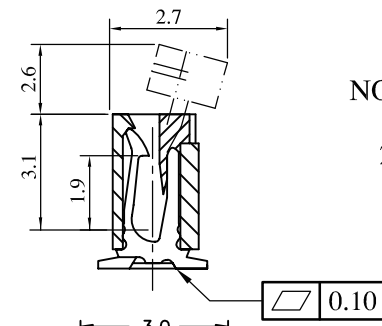
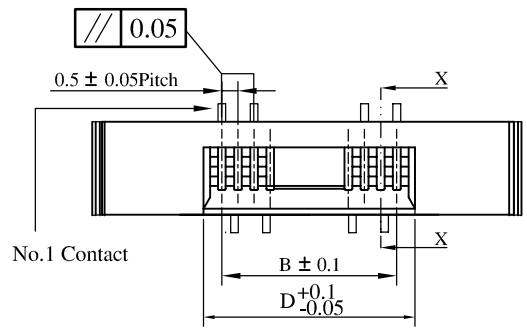
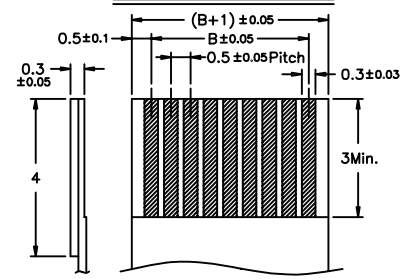


**NOTE :**

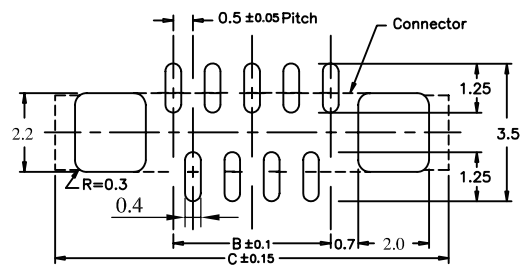
- 1.Contacts Finish: Tin 100 "u"Over Nickel 50 "u"
- 2.Material:  
Insulator:Thermoplastic  
Contacts:Phosphor Bronze



Applicable FPC



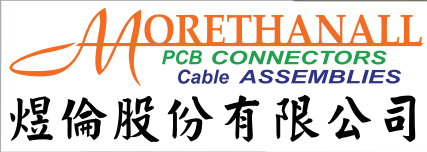
**PCB Layout**



No.of Contacts	Contacts Number	DIM. A	DIM. B	DIM. C	DIM. D
04	FPV-VZAR41-04	6.7	1.5	7.5	2.6
05	FPV-VZAR41-05	7.2	2	8	3.1
06	FPV-VZAR41-06	7.7	2.5	8.5	3.6
07	FPV-VZAR41-07	8.2	3	9	4.1
08	FPV-VZAR41-08	8.7	3.5	9.5	4.6
09	FPV-VZAR41-09	9.2	4	10	5.1
10	FPV-VZAR41-10	9.7	4.5	10.5	5.6
11	FPV-VZAR41-11	10.2	5	11	6.1
12	FPV-VZAR41-12	10.7	5.5	11.5	6.6
13	FPV-VZAR41-13	11.2	6	12	7.1
14	FPV-VZAR41-14	11.7	6.5	12.5	7.6
15	FPV-VZAR41-15	12.2	7	13	8.1
16	FPV-VZAR41-16	12.7	7.5	13.5	8.6
17	FPV-VZAR41-17	13.2	8	14	9.1
18	FPV-VZAR41-18	13.7	8.5	14.5	9.6
19	FPV-VZAR41-19	14.2	9	15	10.1
20	FPV-VZAR41-20	14.7	9.5	15.5	10.6
21	FPV-VZAR41-21	15.2	10	16	11.1
22	FPV-VZAR41-22	15.7	10.5	16.5	11.6
23	FPV-VZAR41-23	16.2	11	17	12.1
24	FPV-VZAR41-24	16.7	11.5	17.5	12.6
25	FPV-VZAR41-25	17.2	12	18	13.1
26	FPV-VZAR41-26	17.7	12.5	18.5	13.6
27	FPV-VZAR41-27	18.2	13	19	14.1

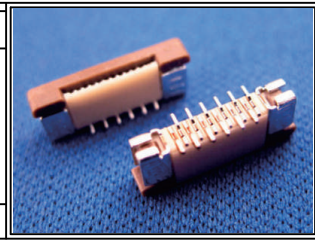
No.of Contacts	Contacts Number	DIM. A	DIM. B	DIM. C	DIM. D
28	FPV-VZAR41-28	18.7	13.5	19.5	14.6
29	FPV-VZAR41-29	19.2	14	20	15.1
30	FPV-VZAR41-30	19.7	14.5	20.5	15.6
31	FPV-VZAR41-31	20.2	15	21	16.1
32	FPV-VZAR41-32	20.7	15.5	21.5	16.6
33	FPV-VZAR41-33	21.2	16	22	17.1
34	FPV-VZAR41-34	21.7	16.5	22.5	17.6
35	FPV-VZAR41-35	22.2	17	23	18.1
36	FPV-VZAR41-36	22.7	17.5	23.5	18.6
37	FPV-VZAR41-37	23.2	18	24	19.1
38	FPV-VZAR41-38	23.7	18.5	24.5	19.6
39	FPV-VZAR41-39	24.2	19	25	20.1
40	FPV-VZAR41-40	24.7	19.5	25.5	20.6
41	FPV-VZAR41-41	25.2	20	26	21.1
42	FPV-VZAR41-42	25.7	20.5	26.5	21.6
43	FPV-VZAR41-43	26.2	21	27	22.1
44	FPV-VZAR41-44	26.7	21.5	27.5	22.6
45	FPV-VZAR41-45	27.2	22	28	23.1
46	FPV-VZAR41-46	27.7	22.5	28.5	23.6
47	FPV-VZAR41-47	28.2	23	29	24.1
48	FPV-VZAR41-48	28.7	23.5	29.5	24.6
49	FPV-VZAR41-49	29.2	24	30	25.1
50	FPV-VZAR41-50	29.7	24.5	30.5	25.6

**RoHS Compliant**

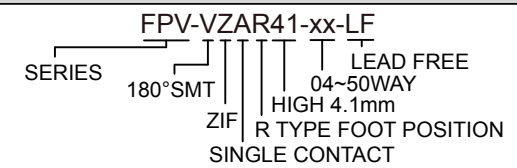


DRAWING BY CY  
CHECKED BY GENIUS  
UNIT/ mm SCALE 1:1  
DATE

TOLERANCES ARE  
X, ±  
.X ±  
.XX ±  
.XXX ±  
ANG ±



**ORDER INFORMATION**



DESCRIPTION: FFC/FPC Connector ZIF Straight B Type(Pitch 0.5 mm)

www.morethanall.com

SIZE A4 PPROJECTION