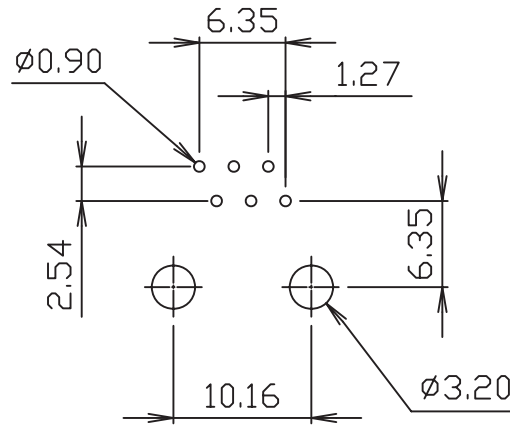
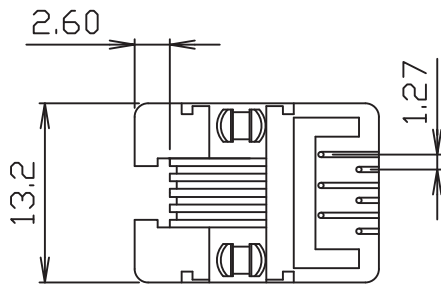
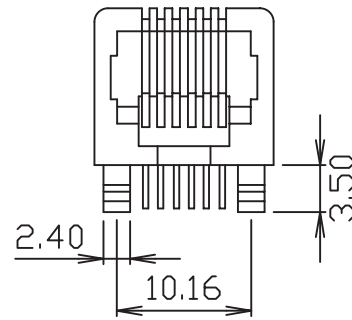
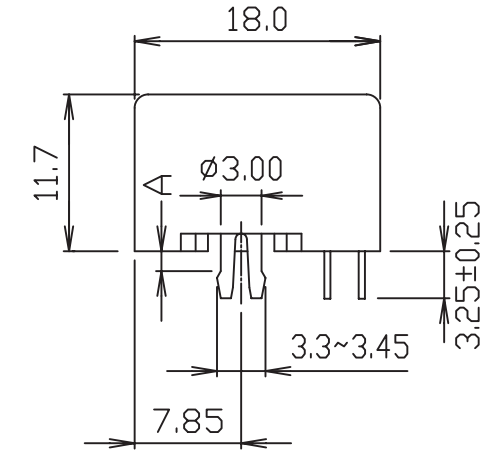
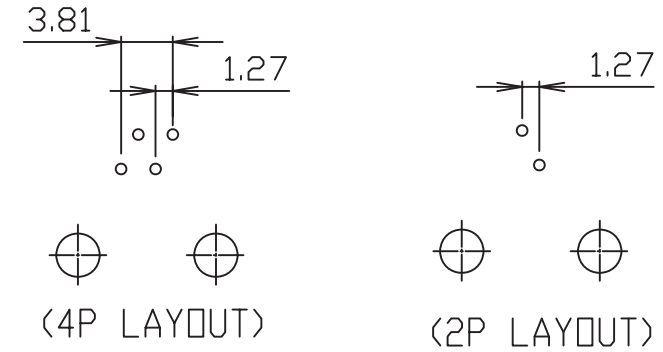


MATERIAL: HOUSING-PBT POLYESTER UL94V-0  
 MIXED GLASS FIBER.  
 STANDARD COLOR-BLACK  
 CONTACTS-0.45mm DIAMETER PHOS-BRONZE  
 PLATED WITH HARD GOLD.  
 CAVITY CONFIRMS TO FCC RULES AND REGULATIONS



(6P LAYOUT)



PC Board Layout

**MORETHANALL**  
 PCB CONNECTORS  
 Cable ASSEMBLIES

煜倫股份有限公司

www.morethanall.com

RoHS Compliant

DRAWING BY CY

CHECKED BY GENIUS

UNIT/mm SCALE 1:1

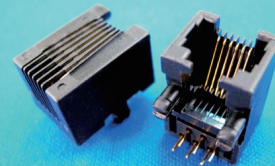
DATE

SIZE A4

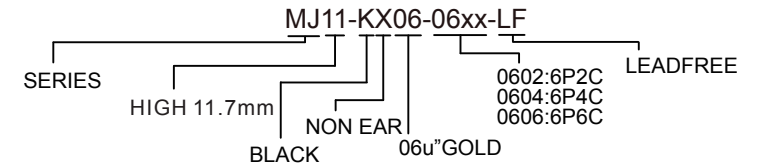
TOLERANCES ARE

X. ±  
 .X ± 0.25  
 .XX ± 0.13  
 .XXX ± 0.05  
 ANG ±

P PROJECTION



ORDER INFORMATION



DESCRIPTION: 6POSITION SIDE ENTRY VERY LOW PROFILE, PCB JACK