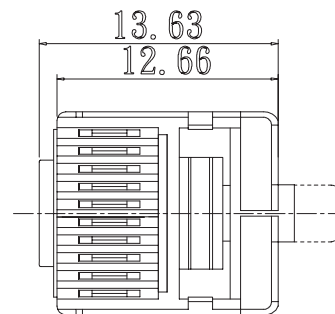
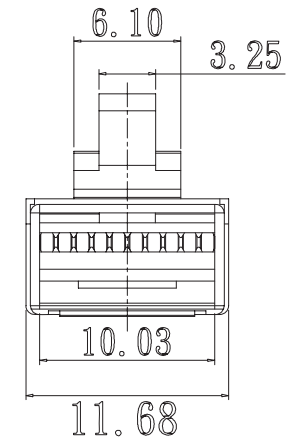
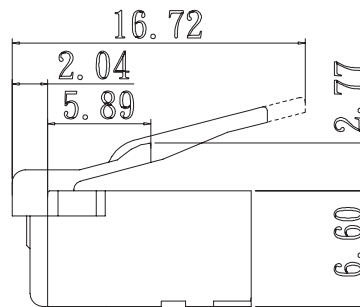
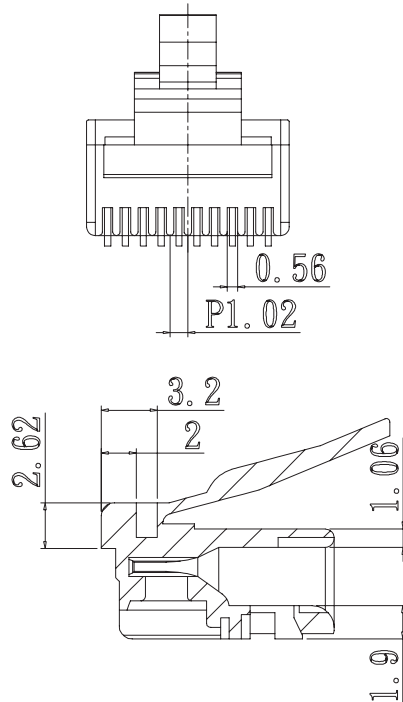
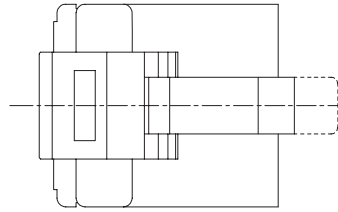


SPECIFICATION

MECHANICAL:

1. Housing Material: Polycarbonate, UL 94V-2.
No Poison
2. Material Contact: Phosphor Bronze.
3. Housing Color: Transparence.
4. Operation Temperature: -40 °c to 80 °c.
5. Cable to Tensile Strength: 7.7Kgs.



MORETHANALL
PCB CONNECTORS
Cable ASSEMBLIES

煜倫股份有限公司

www.morethanall.com

RoHS Compliant

DRAWING BY CY

CHECKED BY GENIUS

UNIT/ mm SCALE 1:1

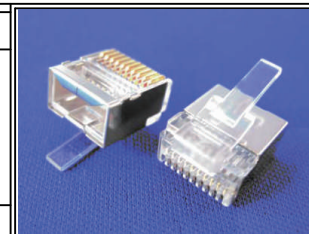
DATE

SIZE A4

TOLERANCES ARE

X. ±
.X ±
.XX ±
.XXX ±
ANG ±

P PROJECTION



ORDER INFORMATION

MP-FSF-1010-LF
SERIES | LEADFREE
10P10C
FULL METAL
SHORT
FLAT OUTLET

DESCRIPTION: