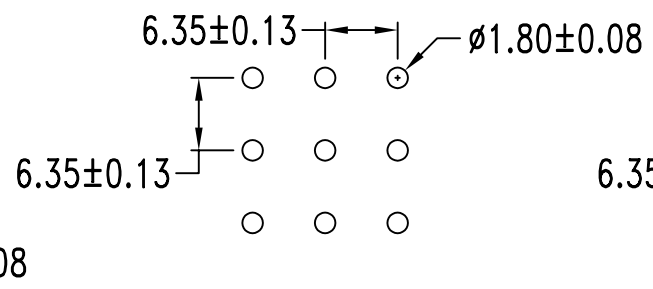
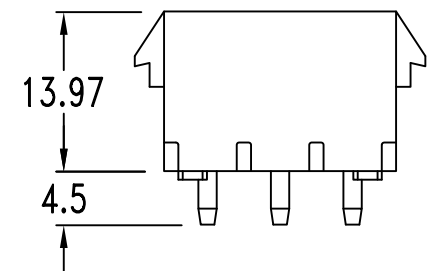
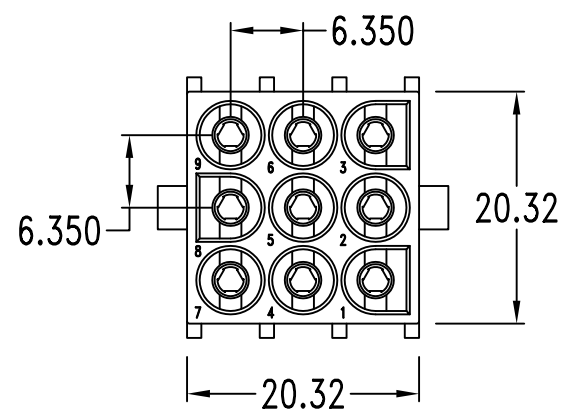
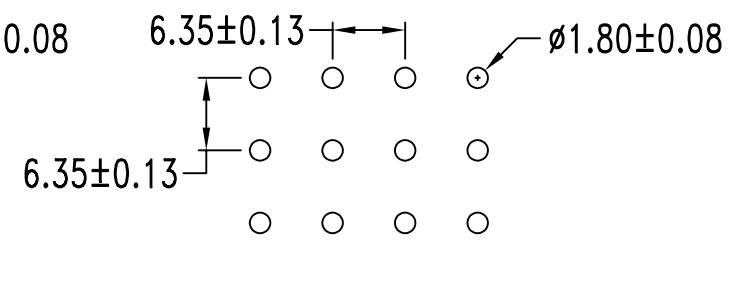
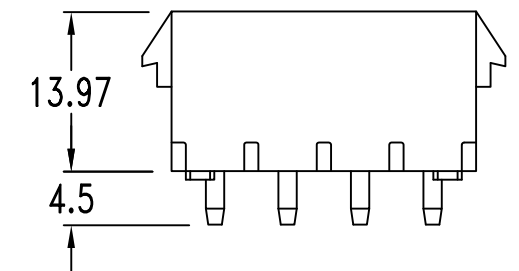
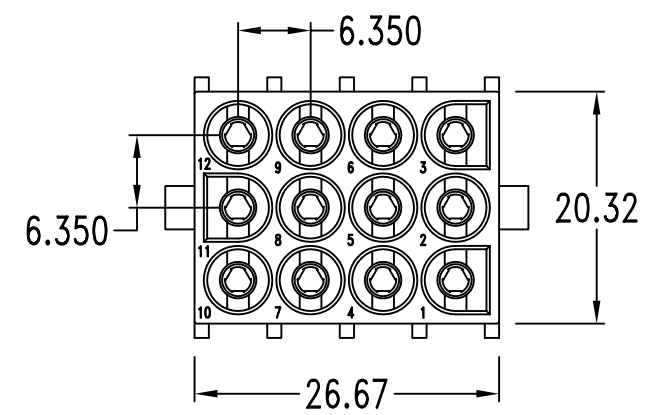


P. C. board layout
UL-SDX-3X02



P. C. board layout
UL-SDX-3X03



P. C. board layout
UL-SDX-3X04



PART NO. **UL-SDX-3Xxx**

DWG NO. **UL-SDX-3Xxx**

FILE NO.

UNIT / mm

SCALE 1:1

CHECKED BY CY

DRAWING BY

PROJECTION

TOLERANCES ARE

.X ± 0.2
.XX ±
.XXX ±
AWG

DESCRIPTION: **.250"(6.35mm) Power Connector**

AREA	REVISIONS	HK	DATE
------	-----------	----	------

煜倫股份有限公司

Features:

- 2, 3, 4, 6, 9, 12, 15 circuits available
- Pin Material: Tin-plated phosphor bronze
- Standard Color: Nature

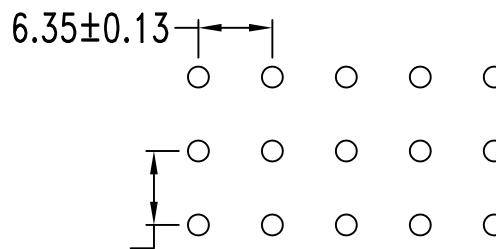
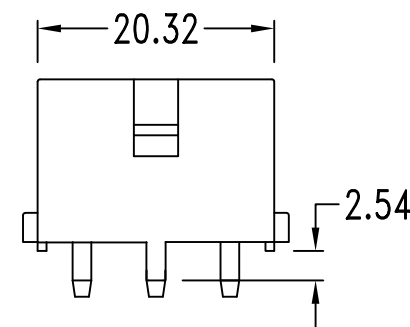
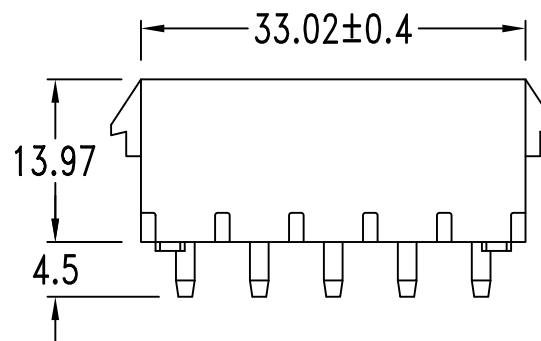
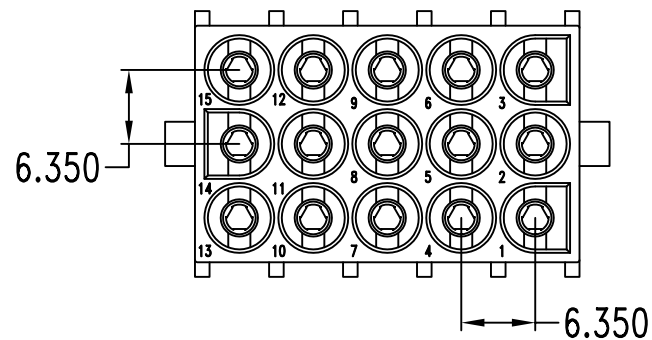
Specification:

- Current rating: 13A (2~4P), 11A (6~15P)
- Voltage rating: 600V
- Dielectric withstanding voltage: 5000V AC/minute
- Ambient temperature rise: -55°C ~ 105°C
- Insulation material UL 94V-2

UL-SDX-3Xxx-LF

LEADFREE

RoHS Compliant



P. C. board layout

UL-SDX-3X05



PART NO. **UL-SDX-3Xxx**

DWG NO. **UL-SDX-3Xxx**

FILE NO.

UNIT / mm

SCALE 1 : 1

CHECKED BY CY

DRAWING BY

PROJECTION



TOLERANCES ARE

.X ± 0.2
.XX ±
.XXX ±
AWG

DESCRIP TION:

.250"(6.35mm) Power Connector

AREA

REVISIONS

HK

DATE

煜倫股份有限公司